

Monitor Holder Plate
VESA 75/100
Compliant

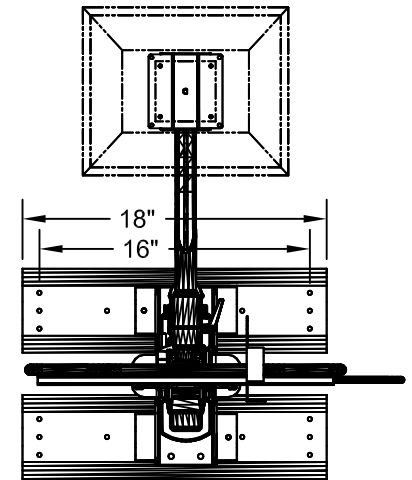
Monitor Arm

Pneumatically height adjustable arm with lock for varying loads

Foldable Keyboard Tray with handle

Sliding Mouse Tray

Mouse holder under KB tray



NOTES :

Monitor Weight ≤ 20lbs

MATERIAL :

AS NOTED ABOVE

TOLERANCES UNLESS OTHERWISE SPECIFIED
FRACTIONAL ±1/64
2 PLC. DEC. ±.01
3PLC. DEC. ±.001
ANGULAR ±.5°
FINISH √

DRAWN BY: PR

DATE: 05/17/12

DESCRIPTION :

Wall Mount

A P P R O V E D

USED ON :

ENG :

MFG :

QA :

PATH : L:\Final_Assbly\Wall Mounts\AFC7808\2012

SCALE : NOT TO SCALE

SHEET : 1 OF 1

PDF NAME:

WMH18_AFC7808_00-01

REV: SIZE
A