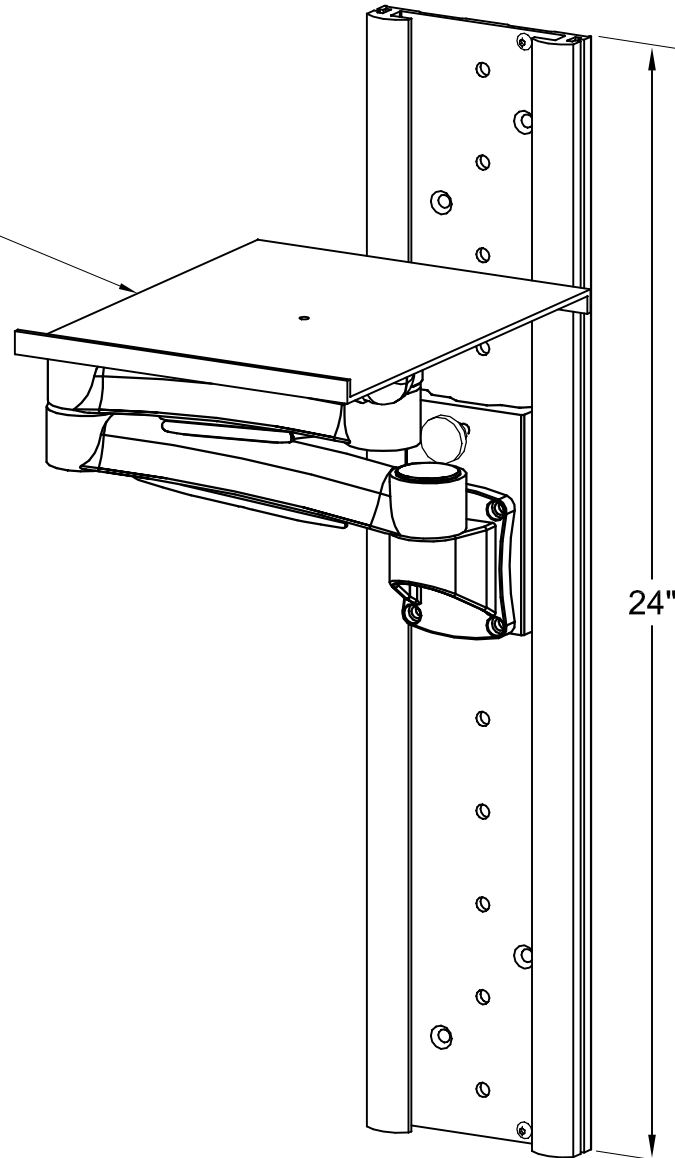


ISOMETRIC VIEW

TAL-002
Phone Shelf 10.125"W by
8" D on Z5-88 Arm on
slider



NOTES :	MATERIAL :	DRAWN BY : MC	DATE: 10/10/14	DESCRIPTION :
		A P P R O V E D		Phone arm on Z5-88 Arm
	TOLERANCES UNLESS OTHERWISE SPECIFIED	ENG :		USED ON :
	FRACTIONAL ±1/64	MFG :		PATH :
	2 PLC. DEC. ±.01	QA :		accessories\phone arms\
	3PLC. DEC. ±.001	SCALE: ~3" = 1' - 0"	SHEET : 1 OF 1	PDF NAME: WM24_Z588_TAL002
	ANGULAR ±.5°			REV: SIZE
	FINISH √ ₃₂			A