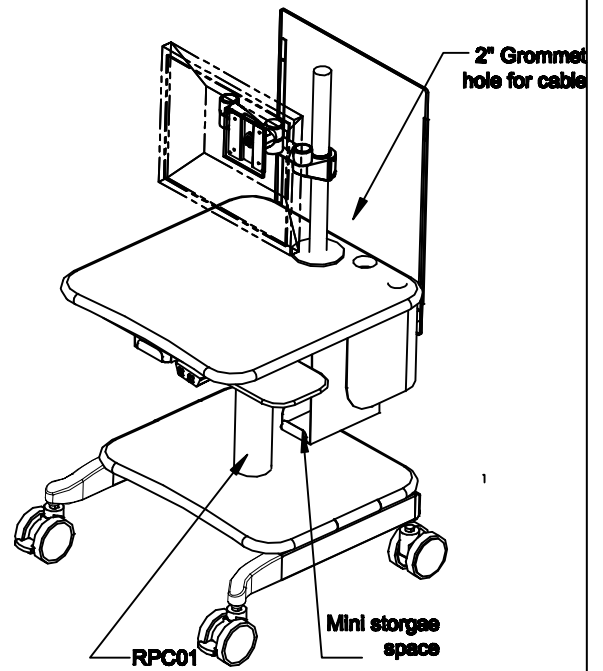
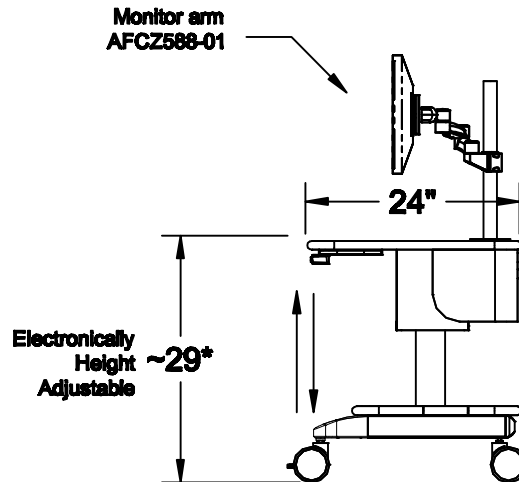
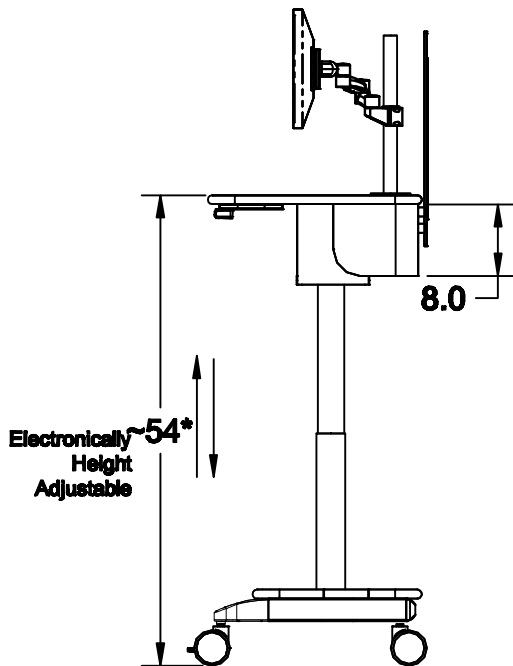


ISOMETRIC VIEW
Highest Position



ISOMETRIC VIEW
Lowest Position



<p>TOLERANCES UNLESS OTHERWISE SPECIFIED *All Dims ±2".</p>	<p>DRAWN BY : GM</p>	<p>DATE: 03-08-21</p>	<p>DESCRIPTION :</p>		
	<p>A P P R O V E D</p>		<p>MOBILE COMPUTING CART</p>		
	<p>ENG :</p>		<p>USED ON :</p>		
	<p>MFG :</p>		<p>PATH :</p>		
<p>QA :</p>		<p>PC800/ELECTRIC</p>			
<p>SCALE: N.T.S.</p>	<p>SHEET : 1 of 1</p>		<p>PDF NAME:</p>	<p>REV 0</p>	
			<p>XPC800_EL_2324_1FZ_SNZ_PC_01</p>		