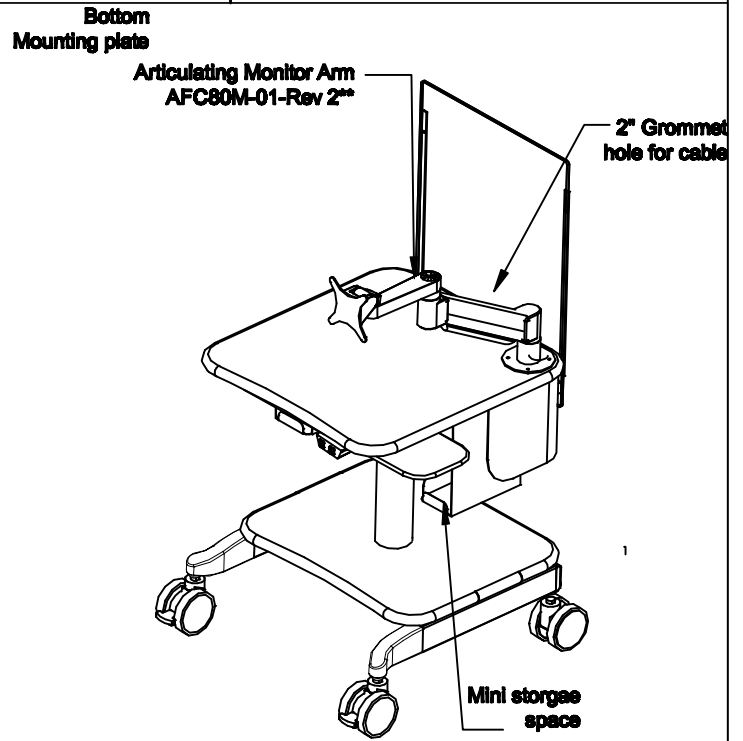
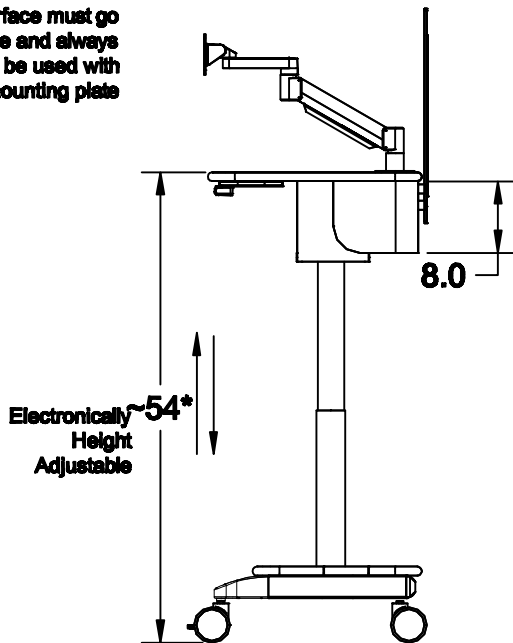


ISOMETRIC VIEW
Highest Position

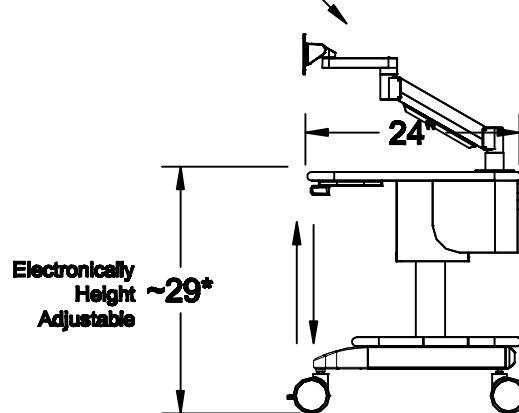


ISOMETRIC VIEW
Lowest Position

Bolts connecting the monitor arm to the worksurface must go through the surface and always to be used with bottom mounting plate



Monitor arm is height adjustable w/o tools



	DRAWN BY : GM	DATE: 05-12-20	DESCRIPTION :	
	A P P R O V E D		MOBILE COMPUTING CART	
TOLERANCES UNLESS OTHERWISE SPECIFIED *All Dims ±2".	ENG :		USED ON :	
	MFG :		PATH :	
	QA :		PC800/ELECTRIC	
	SCALE: N.T.S.	SHEET : 1 of 1	PDF NAME:	XPC800-2015-TL9-01