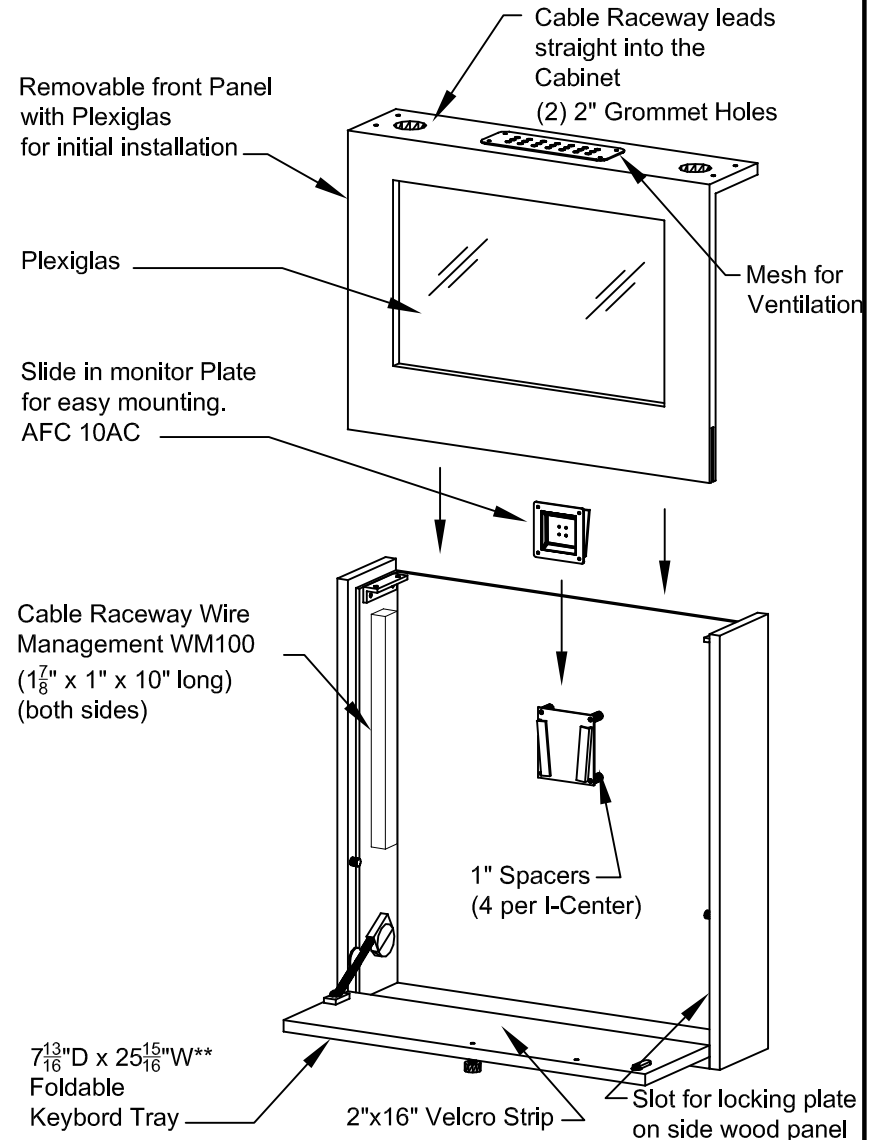
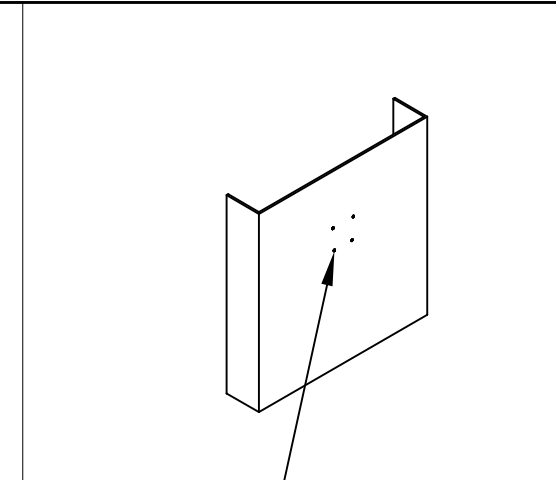
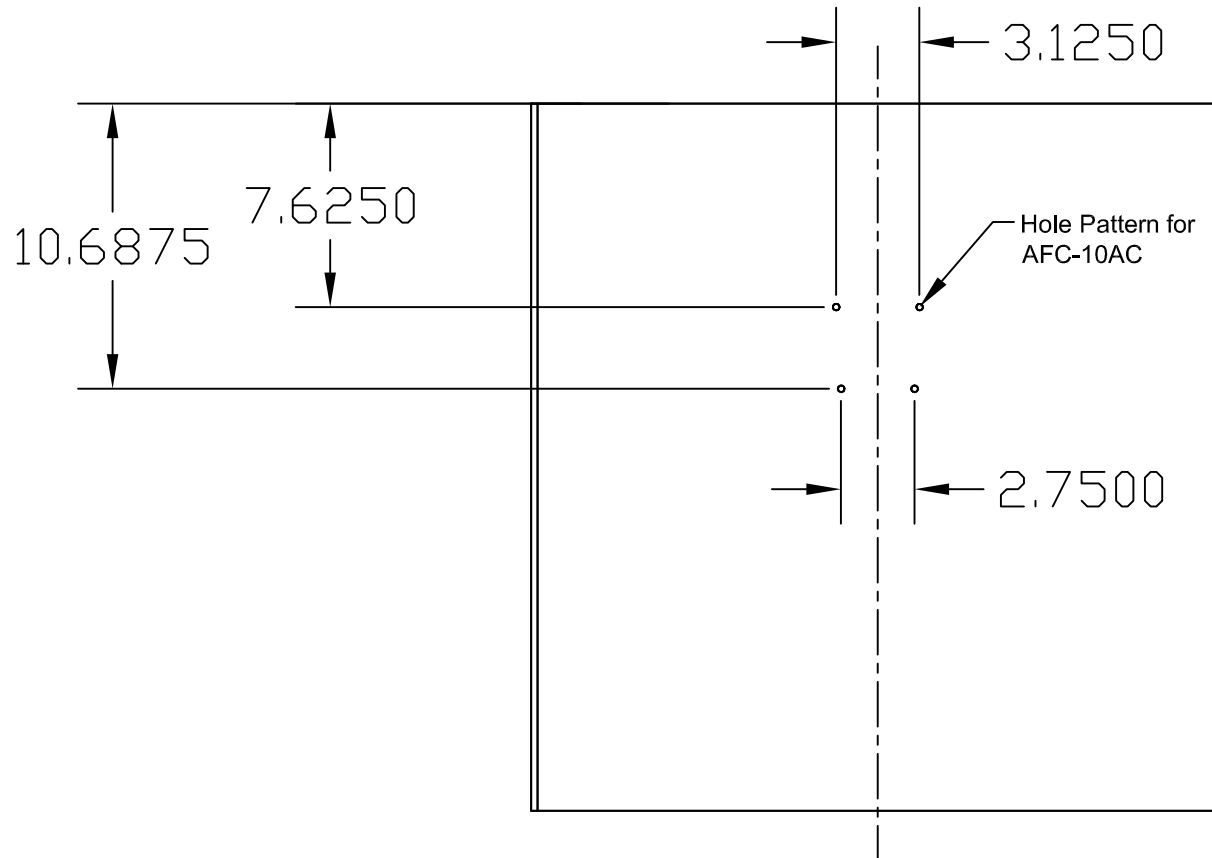


ISOMETRIC VIEW

Electronic Lock
(see page 3 for exact location)
(Brand Name Label to be removed)



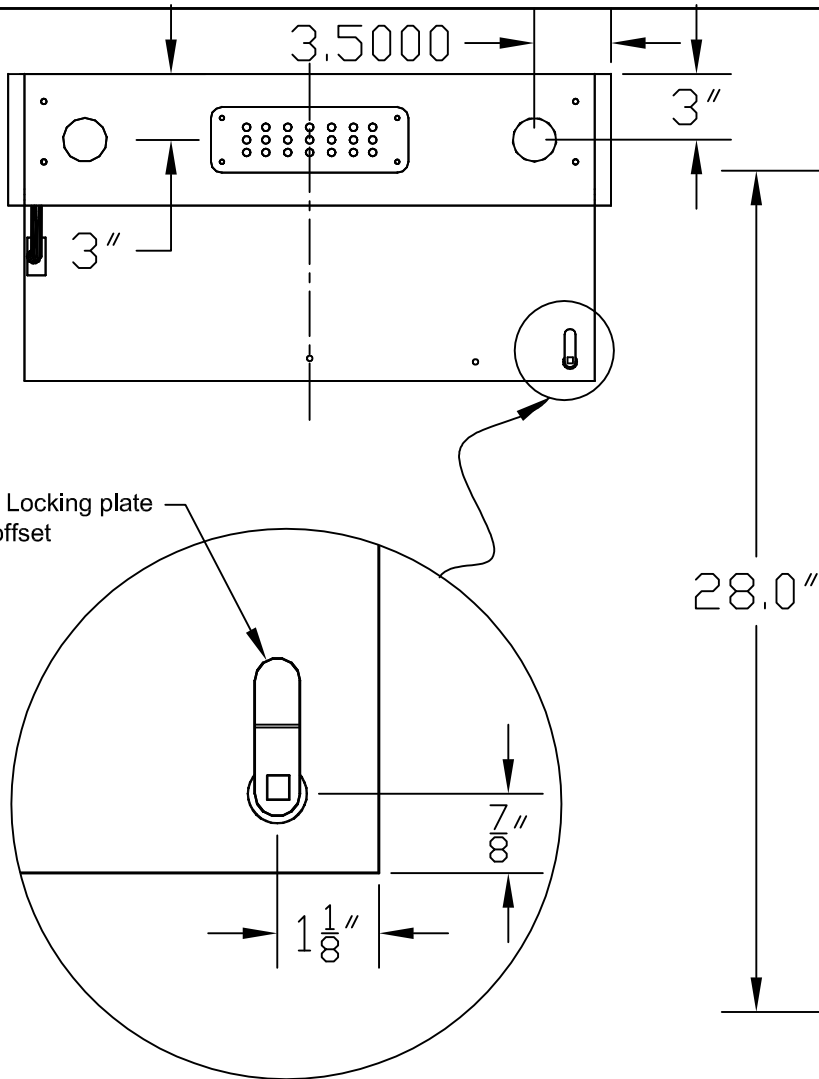
NOTES: * O.D. ** Door dimensions tolerance +/- 1/8"	MATERIAL :	DRAWN BY : KHYN	DATE : 06/03/13	DESCRIPTION :	
	TOLERANCES UNLESS OTHERWISE SPECIFIED FRACTIONAL ±1/64 2 PLC. DEC. ±.01 3 PLC. DEC. ±.001 ANGULAR ±.5° FINISH	APPROVED		I-CENTER	
	NOT TO SCALE	ENG :	MFG :	QA :	USED ON :
	SHEET : 1 OF 3	NOT TO SCALE	MFG :	QA :	PATH : \Fin.Assemb\I-CENTER\IR100\ PDF NAME: XIR100-048 REV: 4 SIZE: A



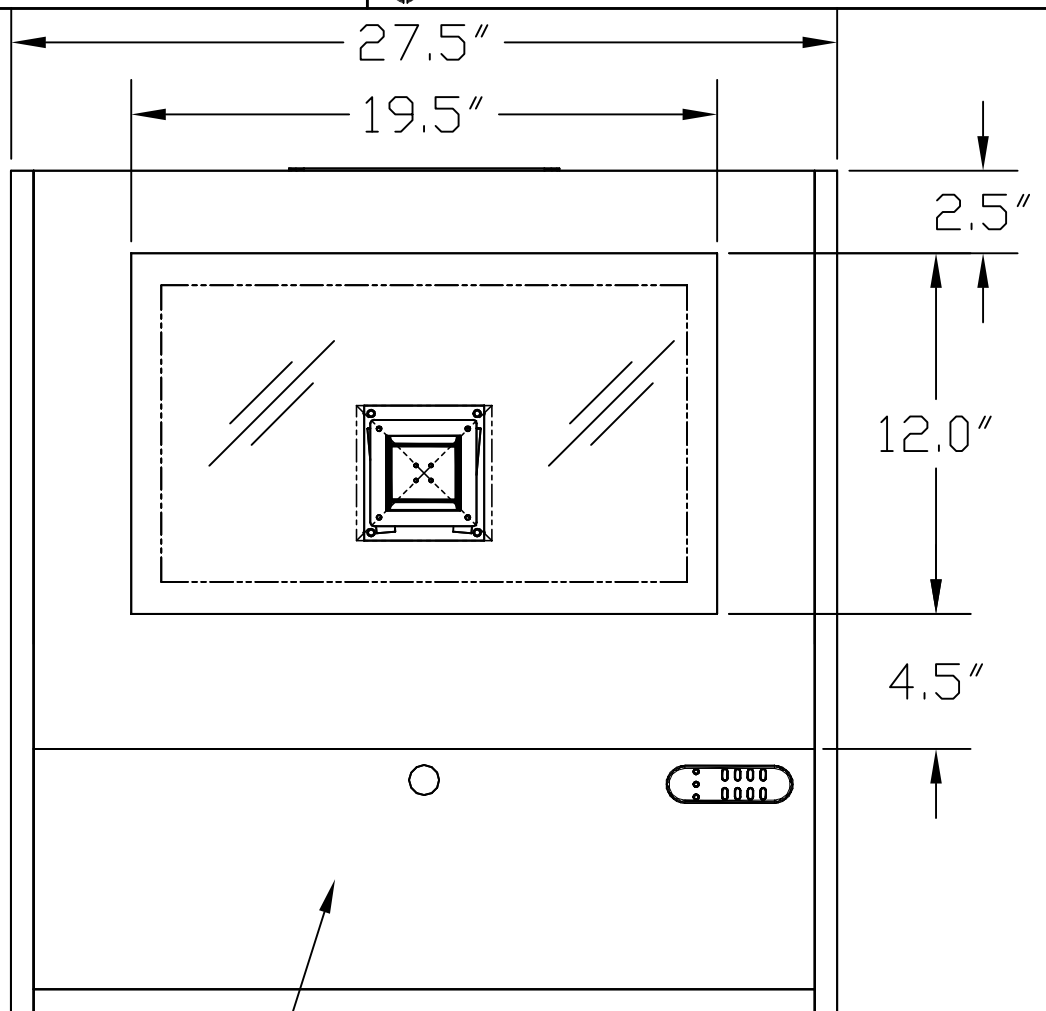
Countersink for
10-32 flat heads
4 places

FRONT VIEW

NOTES :	MATERIAL :	DRAWN BY: KH/YN	DATE: 06/03/13	DESCRIPTION :	
	TOLERANCES UNLESS OTHERWISE SPECIFIED FRACTIONAL ±1/64 2 PLC. DEC. ±.01 3 PLC. DEC. ±.001 ANGULAR ±.001 FINISH $\pm 5^\circ$ $\sqrt{32}$	APPROVED		I-CENTER	
		ENG :		USED ON :	
		MFG :		PATH :	
		QA :		\Fin.Assemb\I-CENTER\IR100\	
		NOT TO SCALE	SHEET : 2 OF 3	PDF NAME: XIR100-048	
				REV: 4	SIZE: A



TOP VIEW



FRONT VIEW

7 13/16" D x 25 15/16" W**
Foldable
Keyboard Tray

NOTES :

** Keyboard Door
dimensions tolerance +/- 1/8"

MATERIAL :

TOLERANCES UNLESS OTHERWISE SPECIFIED
FRACTIONAL ±1/64
2 PLC. DEC. ±.01
3 PLC. DEC. ±.001
ANGULAR ±5°
FINISH

DRAWN BY: KH/YN

DATE: 06/03/13

DESCRIPTION :

I-CENTER

APPROVED

USED ON :

ENG :

MFG :

QA :

PATH :

\\Fin.Assemb\I-CENTER\IR100\

NOT TO SCALE

SHEET: 3 OF 3

PDF NAME:

XIR100-048

REV: 4
SIZE: A