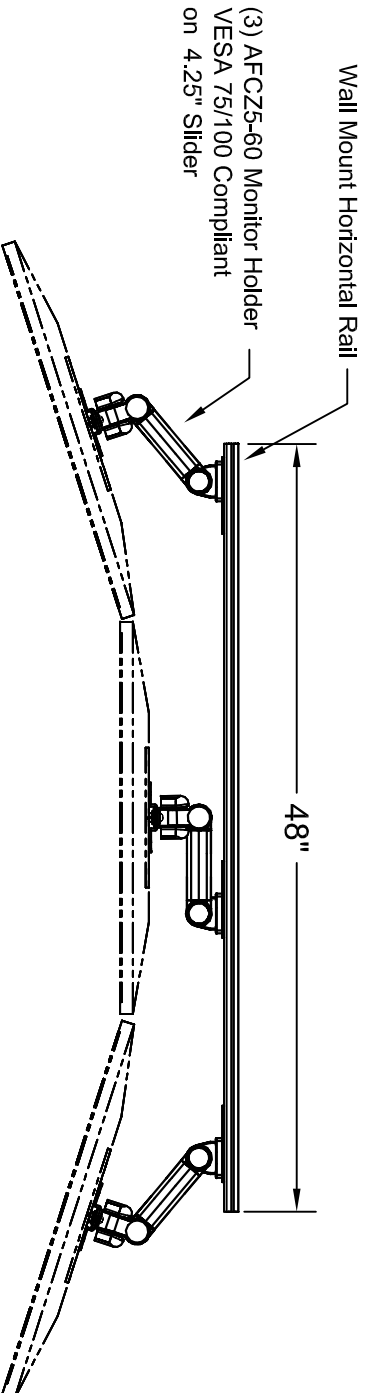


ISOMETRIC VIEW

Safety Stopper at Both Ends of Track

TOP VIEW



48"

(3) AFCZ5-60 Monitor Holder
VESA 75/100 Compliant
on 4.25" Slider

Wall Mount Horizontal Rail

NOTES :

Shown images of
HP V272 27" monitors

MATERIAL :

TOLERANCES UNLESS
OTHERWISE SPECIFIED

FRACTIONAL ±.1/64
2 PLG. DEC. ±.01
3 PLG. DEC. ±.001
ANGULAR

±.5°
32'

DRAWN BY : BD

DATE: 6/7/17

A P P R O V E D

DESCRIPTION :
Wall Mount Horizontal

USED ON :

PATH :
\\Fin.Assy\Wall Mount\Horizontal

PDF NAME: WMH48_3Z5-60_M27_01

ENG :

MFG :

QA :

SCALE: 1" ≈ 1' - 0"

SHEET : 1 OF 1

SIZE
A4