

Wire Manager

Monitor Holder-
Plate
VESA 75/100
Compliant

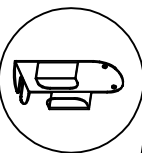
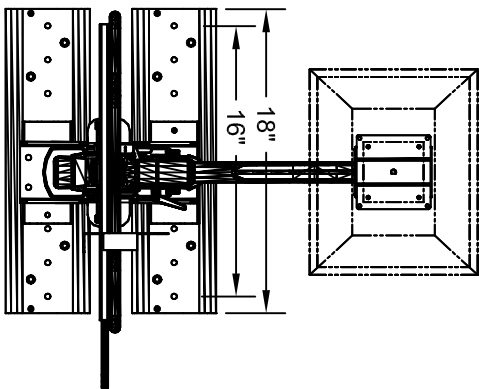
Monitor Arm

Pneumatically height
adjustable arm with
lock for varying loads

Foldable Keyboard
Tray with handle

Sliding
Mouse Tray

Mouse holder
under KB tray



NOTES :

Monitor Weight ≤ 20lbs

MATERIAL :
AS NOTED ABOVE

TOLERANCES UNLESS
OTHERWISE SPECIFIED
FRACTIONAL ±1/64
DEC. ±.01
ANGULAR ±.5°
FINISH √

DRAWN BY: PR/YE

A P P R O V E D

DATE: 2/14/19

DESCRIPTION :
Wall Mount

ENG :

MFG :

QA :

SCALE : NOT TO SCALE SHEET : 1 OF 1

USED ON :

PATH : L:\Final_Assbl\Wall Mounts\AFC7808\2012

PDF NAME: WMH18_AFC7808_00-01

REV: A
SIZE