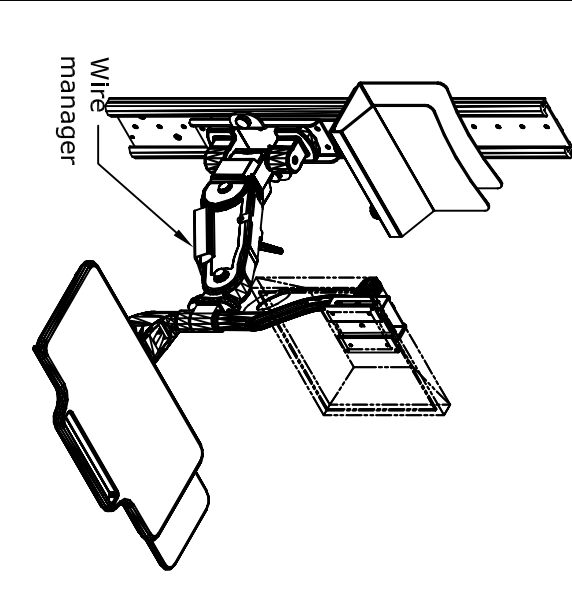
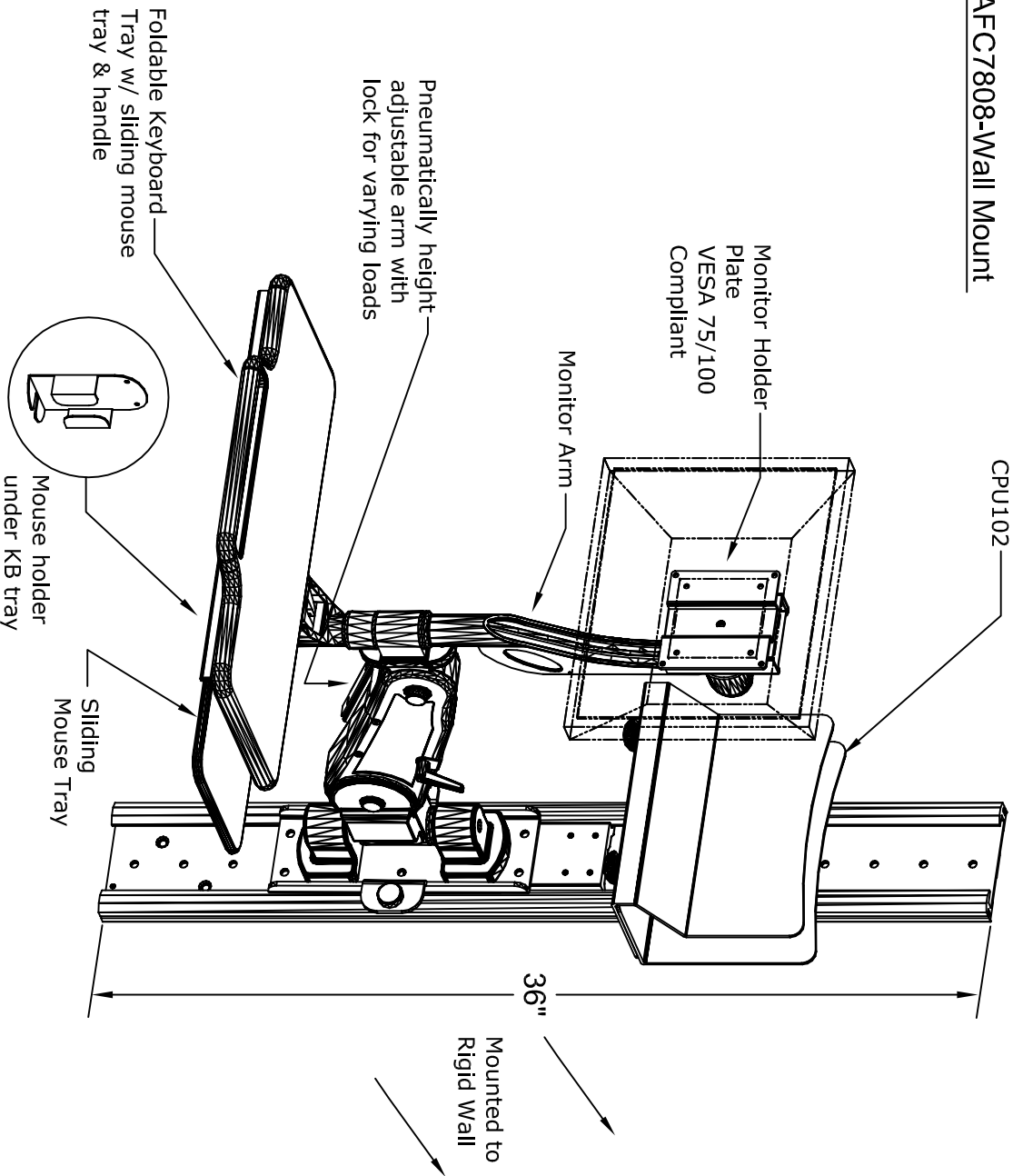


AFC7808-Wall Mount



NOTES:

MATERIAL:

DRAWN BY: PR/BD/YE
A P P R O V E D

DATE: 2/14/19

DESCRIPTION:
AFC 7808

TOLERANCES UNLESS
OTHERWISE SPECIFIED

ENG:

USED ON:

FRACTIONAL ±.1/64

MFG:

2 PLG. DEC. ±.01

QA:

3 PLG. DEC. ±.001

NOT TO SCALE

SHEET: 1 OF 1

PDF NAME: WM36 C1 AFC7808_01

REV: SIZE
A

±.5°
32°