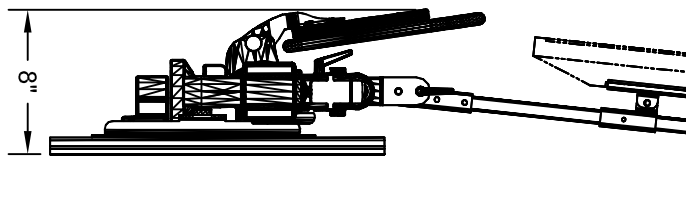
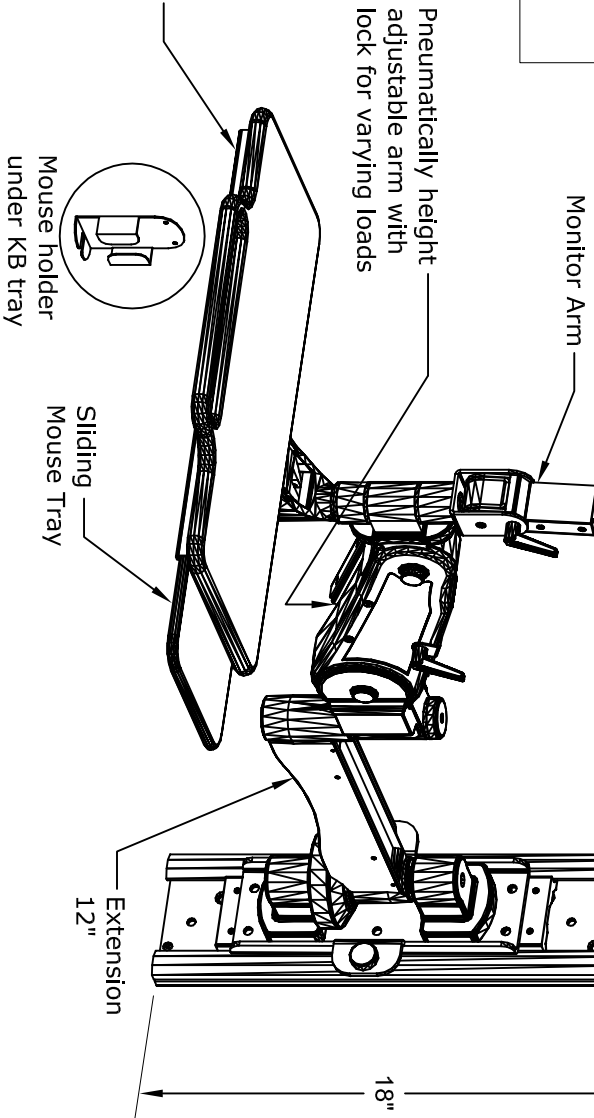


SIDE VIEW
Arm Folded
against wall



NOTES :

Monitor Weight ≤ 20lbs

MATERIAL :
AS NOTED ABOVE

DRAWN BY: PR/YE
A P P R O V E D

DATE: 2/14/19

DESCRIPTION :
Wall Mount

TOLERANCES UNLESS OTHERWISE SPECIFIED

FRACTIONAL ±1/64
DEC. ±.01
ANGULAR ±.5°
FINISH

ENG :

MFG :

USED ON :

QA :

PATH : L:\Final_Assbly\Wall Mounts\AFC7810\2012

SCALE : NOT TO SCALE

SHEET : 1 OF 1

PDF NAME: WM18_AFC7810_12-01

REV: SIZE
A