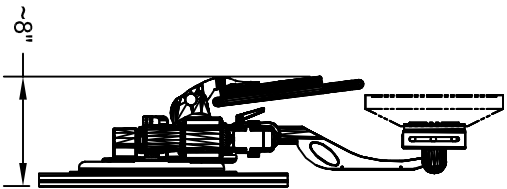
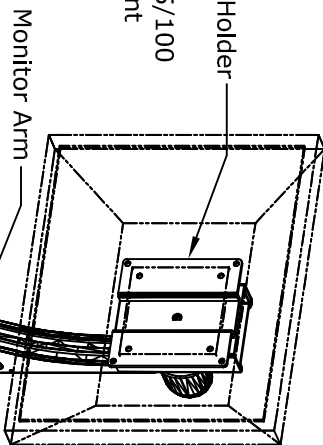


SIDE VIEW
Arm Folded against wall

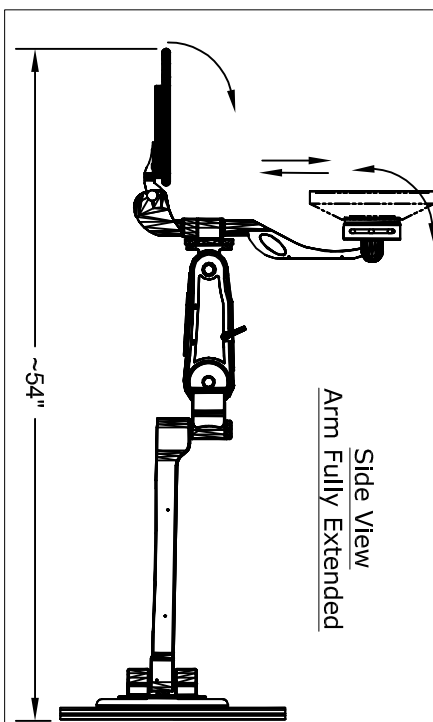
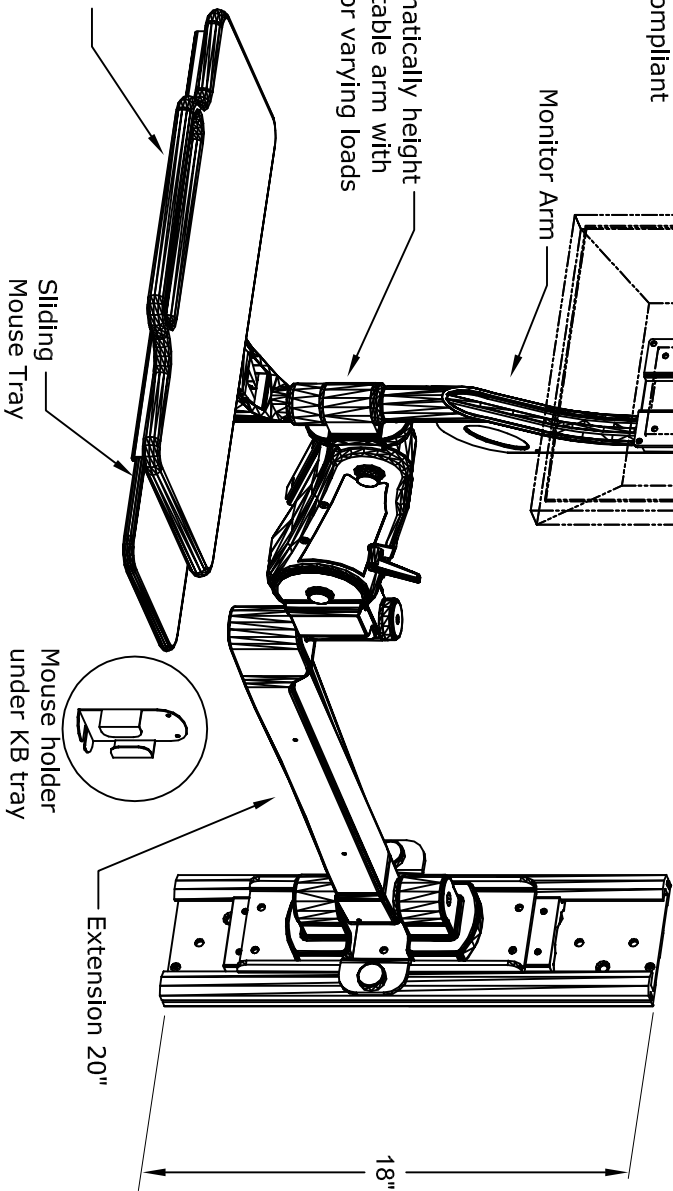


~8"

Monitor Holder
Plate
VESA 75/100
Compliant



Pneumatically height
adjustable arm with
lock for varying loads



Side View
Arm Fully Extended

~54"

18"

Foldable Keyboard
Tray with handle

Sliding
Mouse Tray

Mouse holder
under KB tray

Extension 20"

MATERIAL :
AS NOTED ABOVE

DRAWN BY: PR/YE
A P P R O V E D
DATE: 2/14/19

DESCRIPTION :
Wall Mount

Monitor Weight ≤ 20lbs

TOLERANCES UNLESS
OTHERWISE SPECIFIED

FRACTIONAL ±1/64
DEC. ±.01
ANGULAR ±.5°
FINISH ✓

ENG :

MFG :

QA :

SCALE : NOT TO SCALE SHEET : 1 OF 1

USED ON :

PATH : L:\Final_Assbly\Wall Mounts\AFC7808\2012

PDF NAME: WM18_AFC7808_20-01

REV: SIZE
A