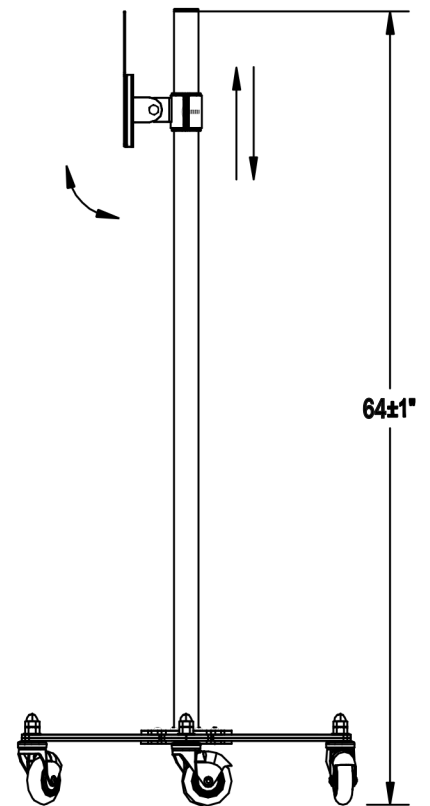
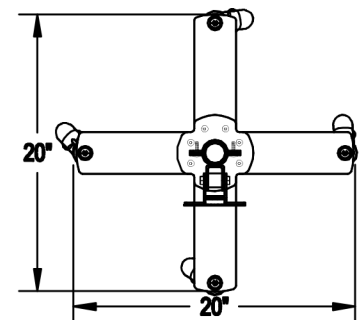


SIDE VIEW



TOP VIEW

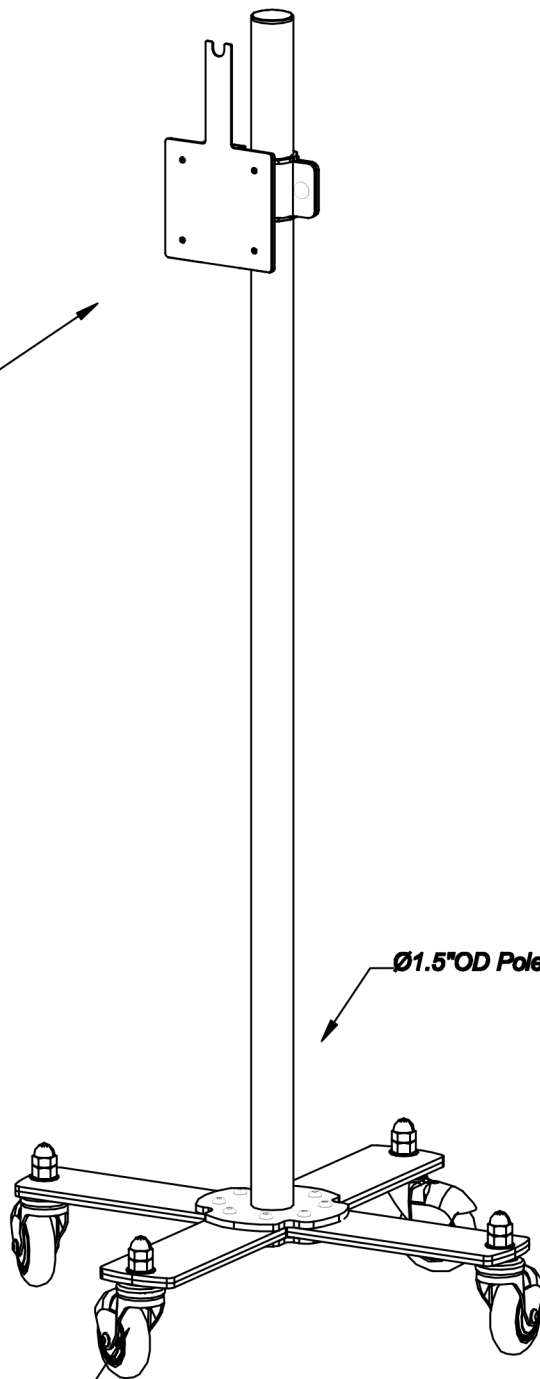


VESA compliant holder with Cam bracket

Ø1.5"OD Pole

(4) Ø3" Casters
(2) Locking

ISOMETRIC VIEW



NOTES:	DRAWN BY: GM/MC	Date: 06-01-20	DESCRIPTION: TABLET CART	
	APPROVED		USED ON:	
TOLERANCES UNLESS OTHERWISE SPECIFIED FRACTIONAL ±1/64 2 PLC. DEC. ±.01 3PLC. DEC. ±.001 ANGULAR FINISH	ENG:		PATH: MAXFLEX/THERMAL CART/TIC2020	
	MFG:		NUMBER:	REV: SIZE
	QA:		TIC2020-52P-AFC16-TCAM-01	2 A
	SCALE: ~1" = 1' - 0"	SHEET: 1 OF 1		