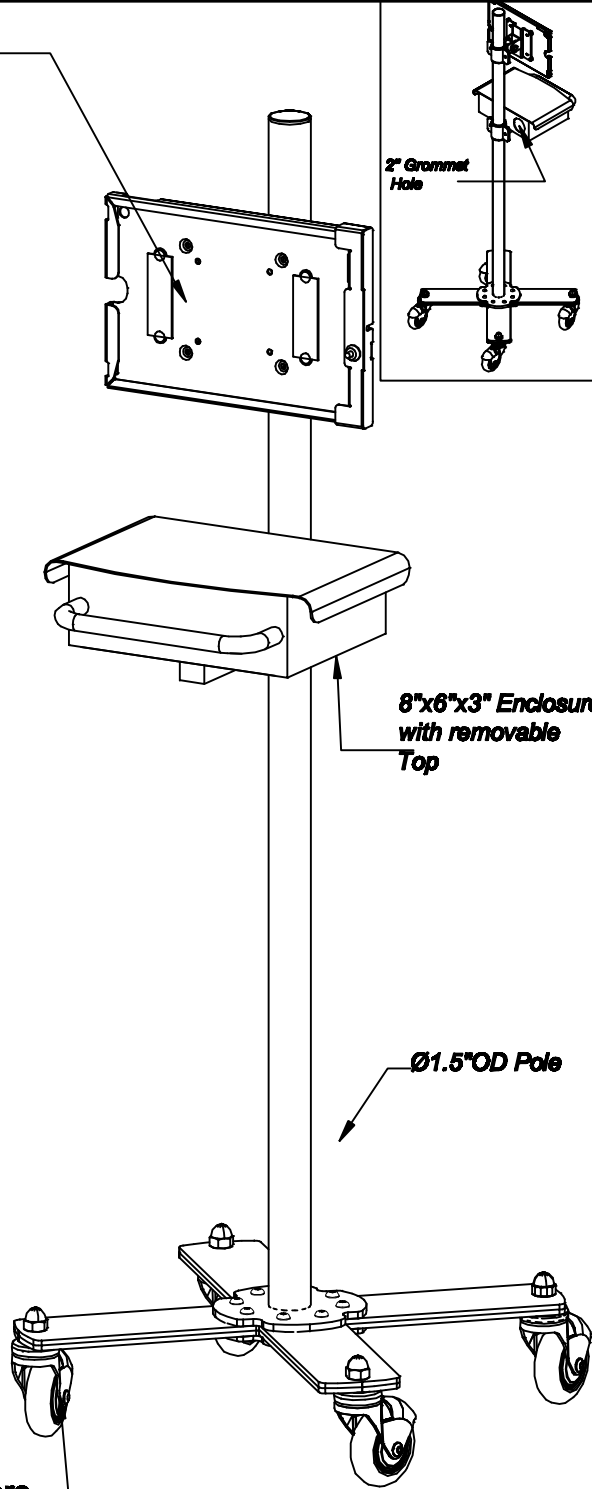
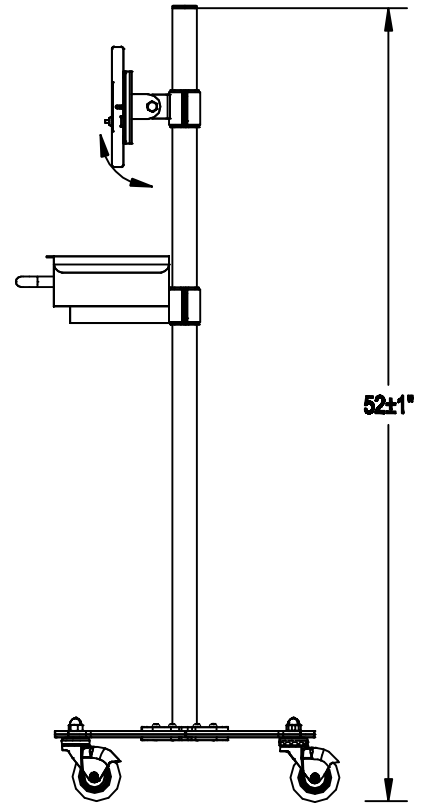


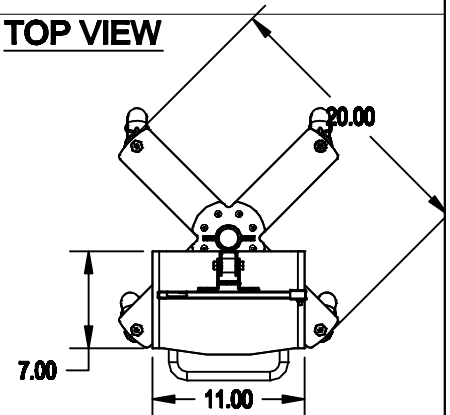
Tablet Holder for



SIDE VIEW



TOP VIEW



(4) Ø3" Casters
(2) Locking

ISOMETRIC VIEW

NOTES: **Clamps connected using nuts and bolts**

DRAWN BY: **GM/MC**

DATE: **08/19/20**

DESCRIPTION:
TABLET CART

APPROVED

USED ON:

PATH: **MAXFLEX/TABLET CART/TBC2020**

TOLERANCES UNLESS OTHERWISE SPECIFIED

FRACTIONAL ±1/64
2 PLC. DEC. ±.01
3 PLC. DEC. ±.001
ANGULAR

FINISH

ENG:

MFG:

QA:

SCALE: ~1" = 1' - 0"

SHEET: 1 OF 1

NUMBER:
TBC2020-52P-AFC16_SH_UNV/TAB_01

REV: SIZE
5 A