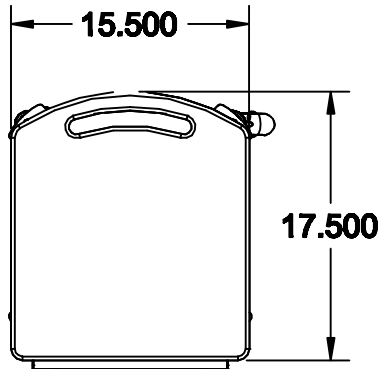
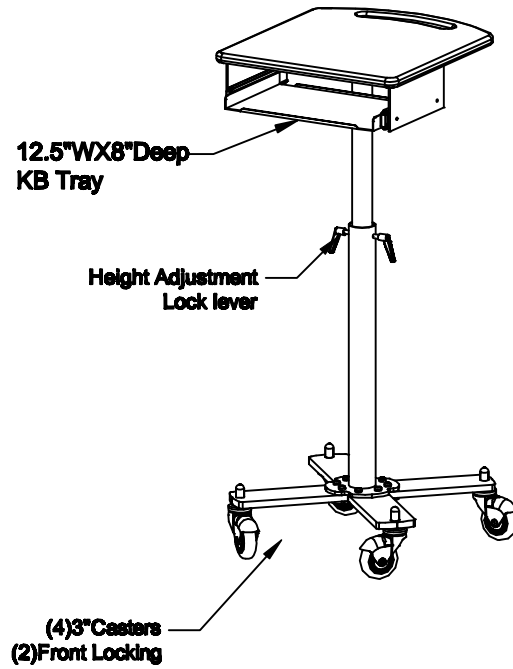


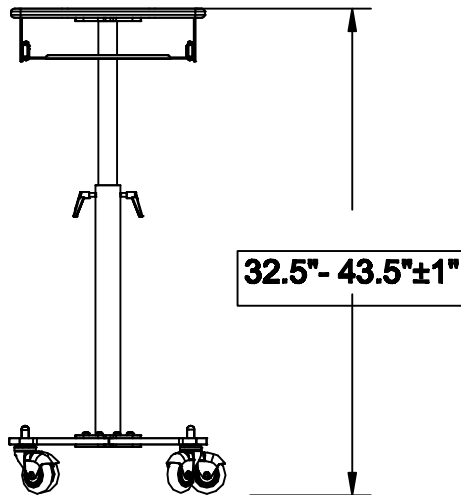
**TOP VIEW**



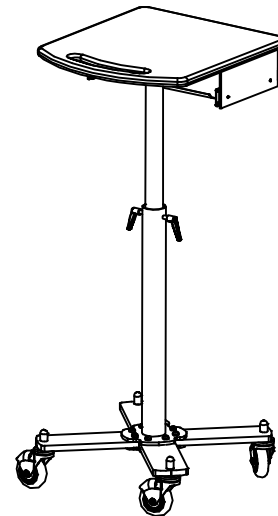
**ISOMETRIC VIEW**



**FRONT VIEW**



**REAR ISO VIEW**



|  |                              |                     |                                    |
|--|------------------------------|---------------------|------------------------------------|
|  | <b>DRAWN BY : GMYN/MB/YE</b> | <b>DATE:10/7/20</b> | DESCRIPTION :                      |
|  | A P P R O V E D              |                     |                                    |
| TOLERANCES UNLESS OTHERWISE SPECIFIED<br>*Height range +1"<br><br>3PLC. DEC. ±.25" | ENG :                        |                     | USED ON :                          |
|  | MFG :                        |                     | PATH : <b>Maxflex/Tablet Cart/</b> |
|  | QA :                         |                     | PDF NAME: <b>TBC150_KB_01</b>      |
|  | SCALE: N.T.S.                | SHEET : 1 of 1      |                                    |