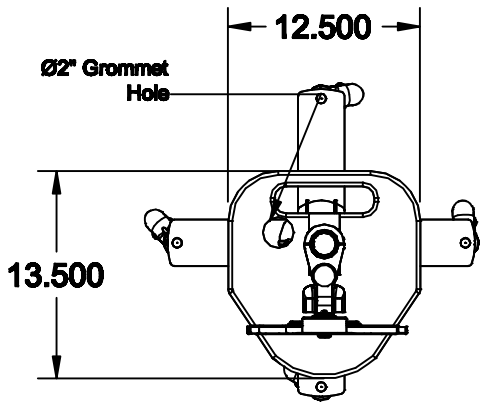


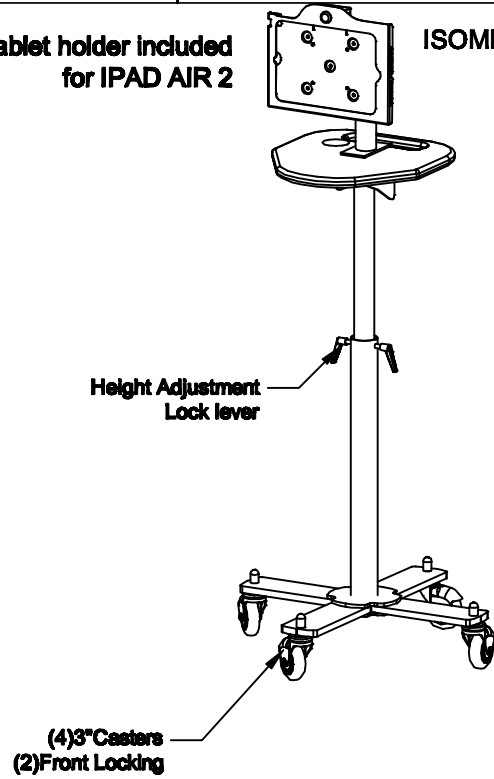


TOP VIEW

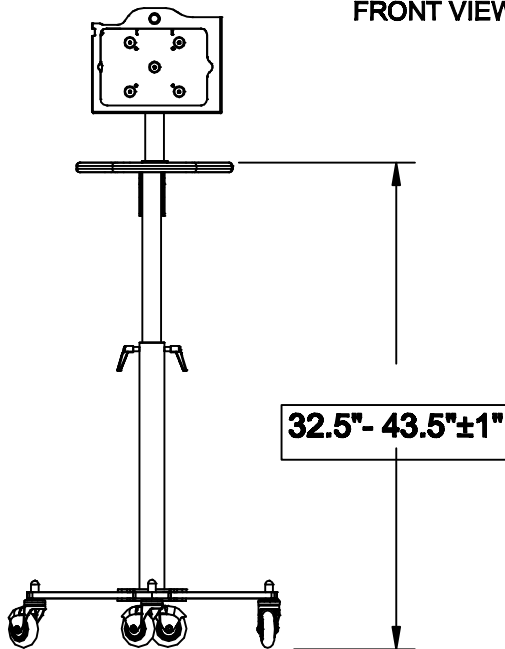


Tablet holder included for IPAD AIR 2

ISOMETRIC VIEW

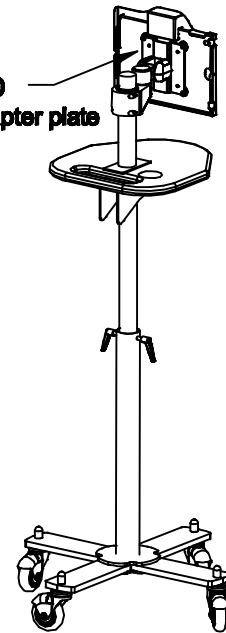


FRONT VIEW



REAR ISO VIEW

8" Pole with AFCZ5-00 Grom. Mount with adapter plate to Tablet holder



**** Actual Holder might look different**

DRAWN BY : GMYN/MB/E

DATE:11/10/20

DESCRIPTION :

A P P R O V E D

TOLERANCES UNLESS OTHERWISE SPECIFIED
*Height range + -1"

ENG :

USED ON :

MFG :

PATH :

QA :

PDF NAME:

3PLC. DEC. ±.25"

SCALE: N.T.S.

SHEET : 1 of 1

Maxflex/Tablet Cart/

TBC150-IPADAIR2_01