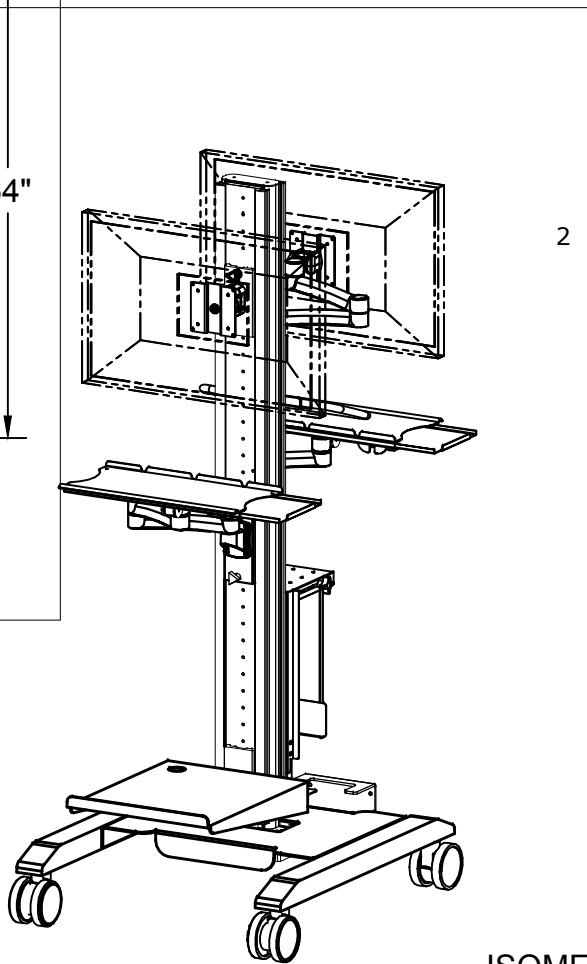


FRONT VIEW
SCALE: 1/2" = 1' - 0"



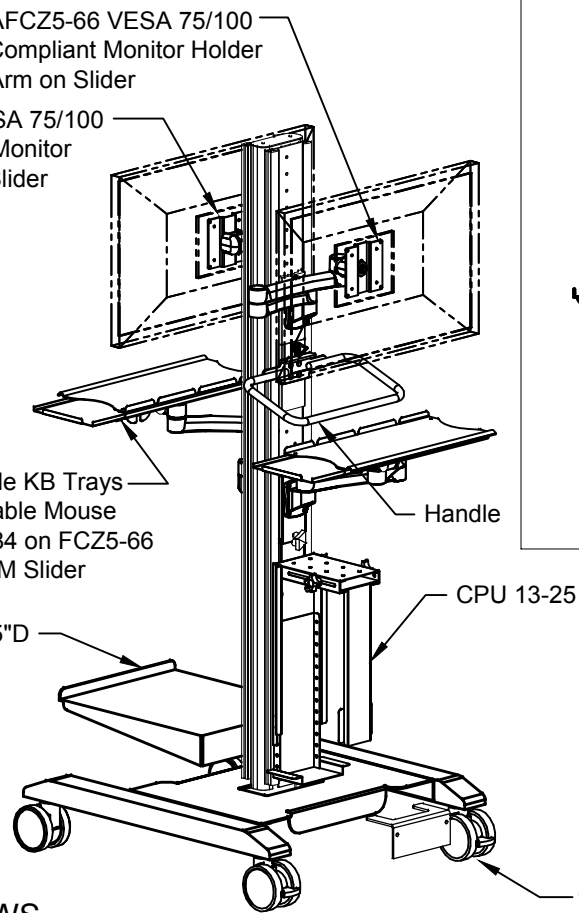
2

AFCZ5-66 VESA 75/100
Compliant Monitor Holder
Arm on Slider

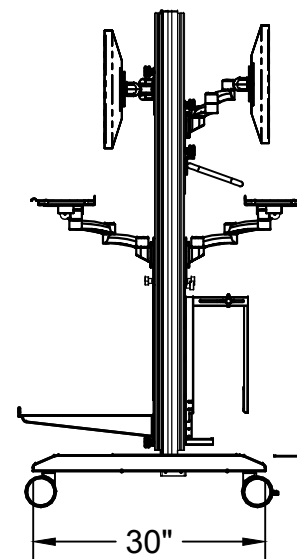
AFC22 VESA 75/100
Compliant Monitor
Holder on Slider

(2) Foldable KB Trays
w/Retractable Mouse
Tray - KB84 on FCZ5-66
Arm on WM Slider

14"Wx17.375"D
Shelf



CPU 13-25



SIDE VIEW
SCALE: 1/2" = 1' - 0"

(4) Ø4" Casters
(2) Locking

ISOMETRIC VIEWS

NOTES :

MATERIAL :

DRAWN BY: BD

DATE: 08/20/14

DESCRIPTION :

A P P R O V E D

Utility Cart

TOLERANCES UNLESS OTHERWISE SPECIFIED

ENG :

USED ON :

FRACTIONAL ±1/64
2 PLC. DEC. ±.01
3PLC. DEC. ±.001
ANGULAR

MFG :

PATH :
\\Fin.Assy\SHOW\2014\Israeli Trade Show\

QA :

PDF NAME:
SNU_263064_01

FINISH

±.5°
32/

SCALE: ~3/4" = 1' - 0"

SHEET: 1 OF 1

SIZE
A4