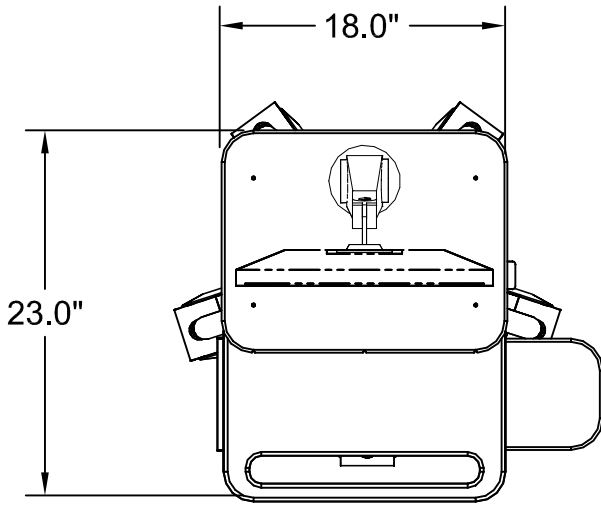
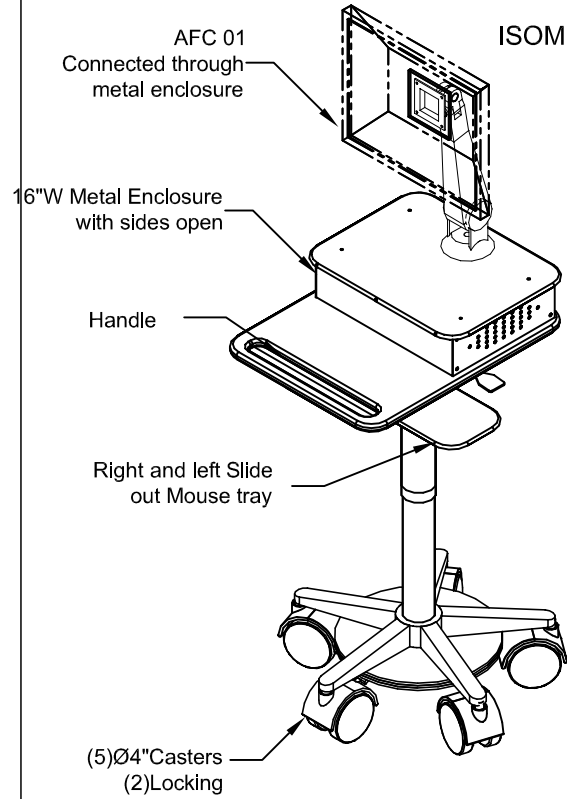


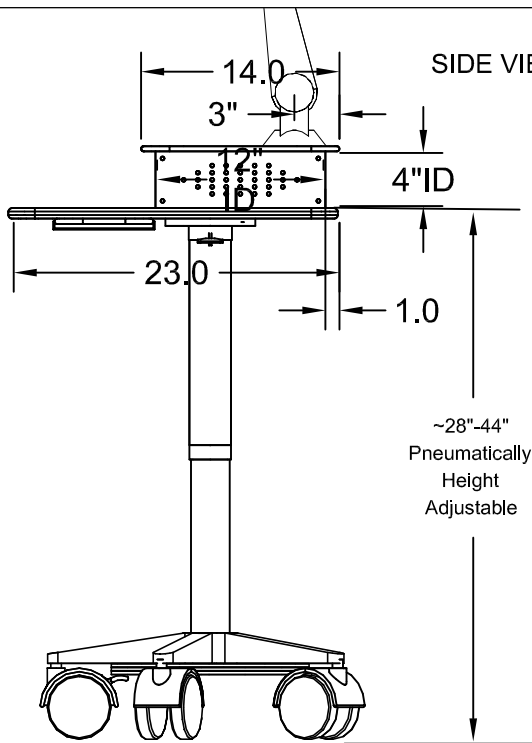
TOP VIEW



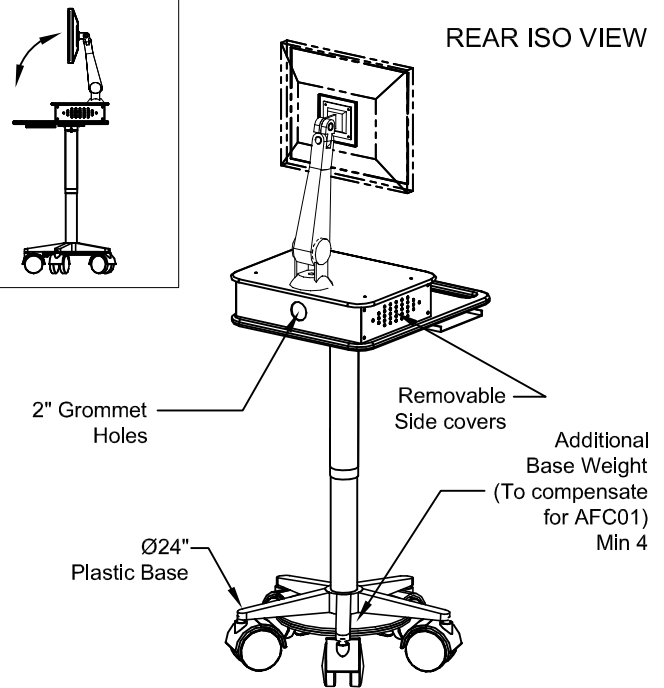
ISOMETRIC VIEW



SIDE VIEW



REAR ISO VIEW



200N REQD:  
Height range +-2"

DRAWN BY : VGM

DATE:05/15/11

DESCRIPTION :

LAPTOP CART

A P P R O V E D

ENG :

USED ON :

MFG :

PATH :

Maxflex/LPC300

QA :

PDF NAME:

LPC300-1823-01

SCALE: N.T.S.

SHEET : 1 of 1

REV