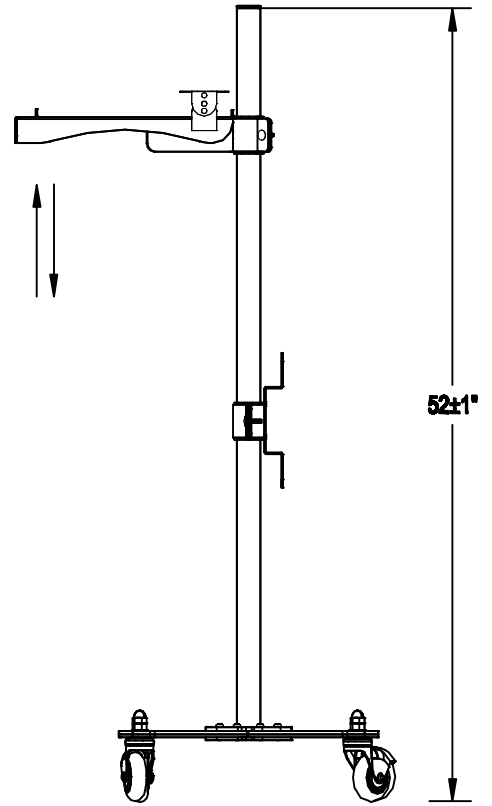
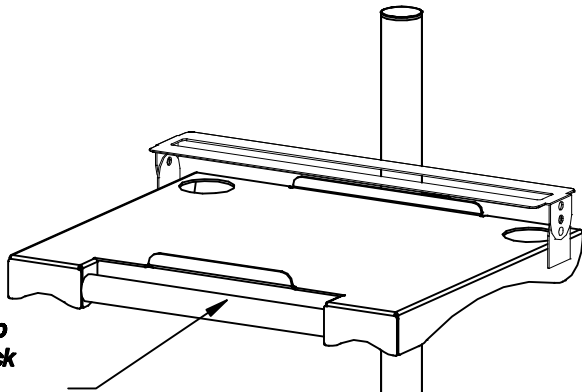


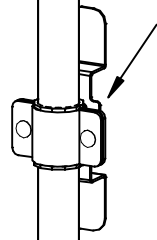
**SIDE VIEW**



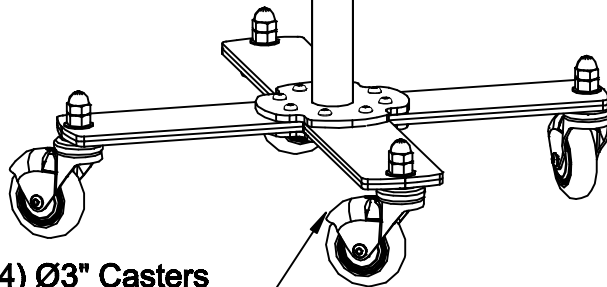
16x12" Laptop Shelf with lock



Cable Holder

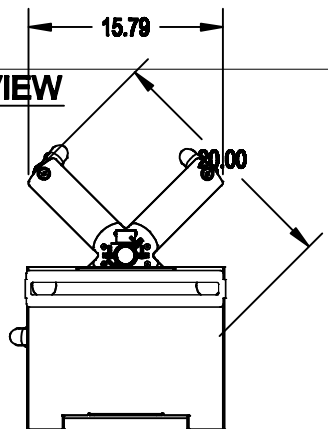


Ø1.5" OD Pole



(4) Ø3" Casters  
(2) Locking

**TOP VIEW**



**ISOMETRIC VIEW**

NOTES:	DRAWN BY: <b>GM/MC</b>	Date: <b>06-01-20</b>	DESCRIPTION:
	APPROVED		<b>TABLET CART</b>
<p>TOLERANCES UNLESS OTHERWISE SPECIFIED</p> <p>FRACTIONAL ±1/64</p> <p>2 PLC. DEC. ±.01</p> <p>3PLC. DEC. ±.001</p> <p>ANGULAR</p> <p>FINISH</p>	ENG:		USED ON:
	MFG:		PATH:
	QA:		<b>MAXFLEX/LAPTOP CART</b>
	SCALE: ~1" = 1' - 0"	SHEET: 1 OF 1	NUMBER:
		<b>LPC2020-52P-LPLCK1612-CH-01</b>	<b>2 A</b>