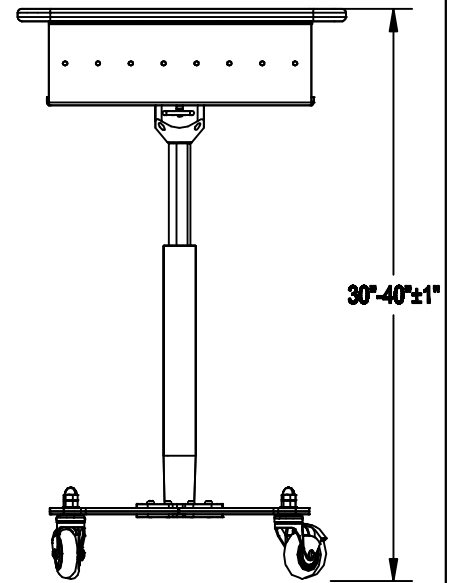
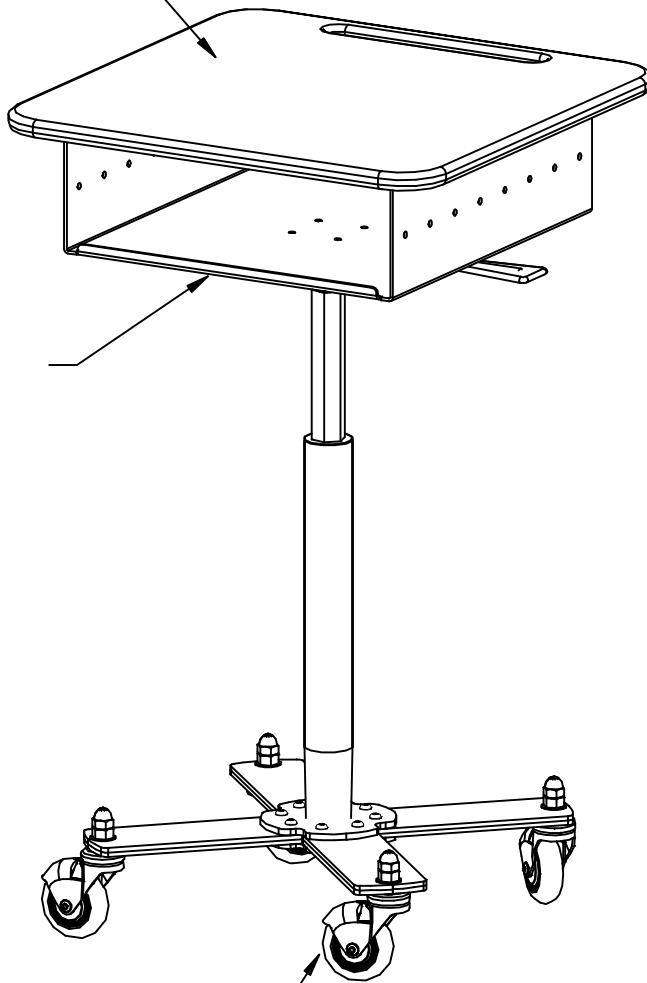


SIDE VIEW



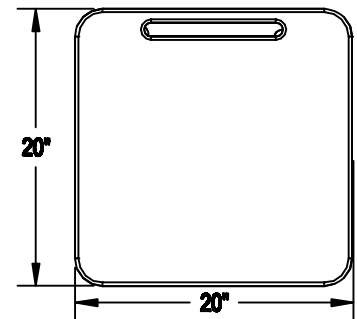
HDPE Top

15"x16"x5"
Compartment



(4) Ø3" Casters
(2) Locking

TOP VIEW



ISOMETRIC VIEW

NOTES:	DRAWN BY: GM/MC	Date: 06-01-20	DESCRIPTION:
	A P P R O V E D		TABLET CART
TOLERANCES UNLESS OTHERWISE SPECIFIED FRACTIONAL ±1/64 2 PLC. DEC. ±.01 3PLC. DEC. ±.001 ANGULAR FINISH	ENG:		USED ON:
	MFG:		PATH: MAXFLEX/ LAPTOP CART/ LPC2020
	QA:		NUMBER: LPC2020-2020-CUB-02
	SCALE: ~1" = 1' - 0"	SHEET: 1 OF 1	REV: 2