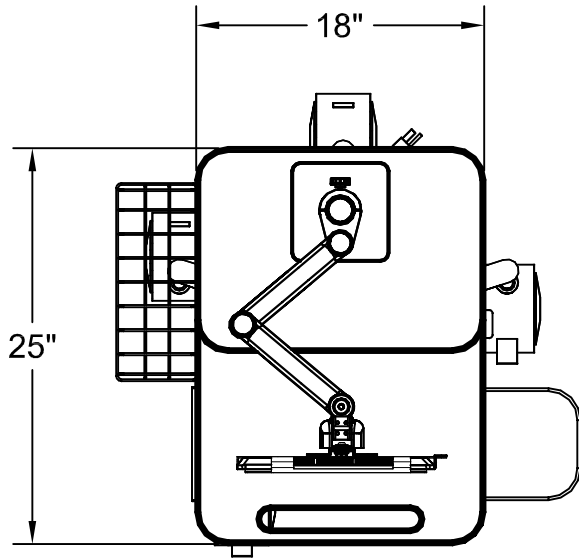
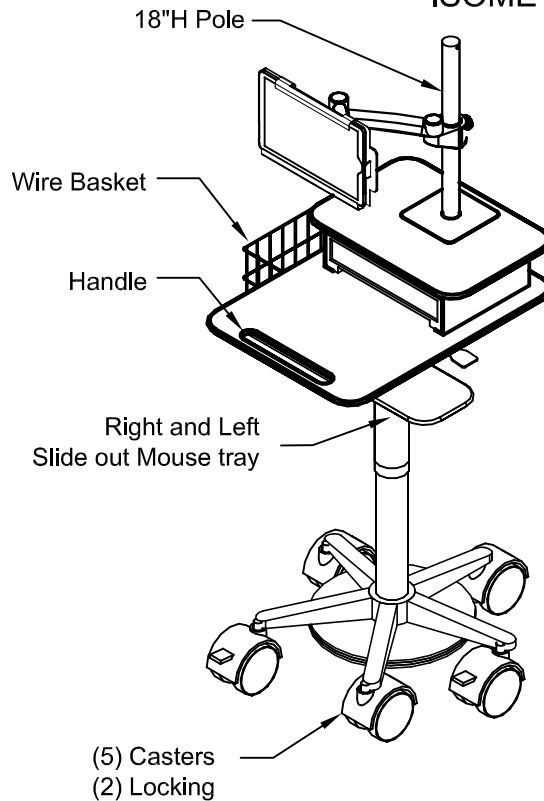


TOP VIEW

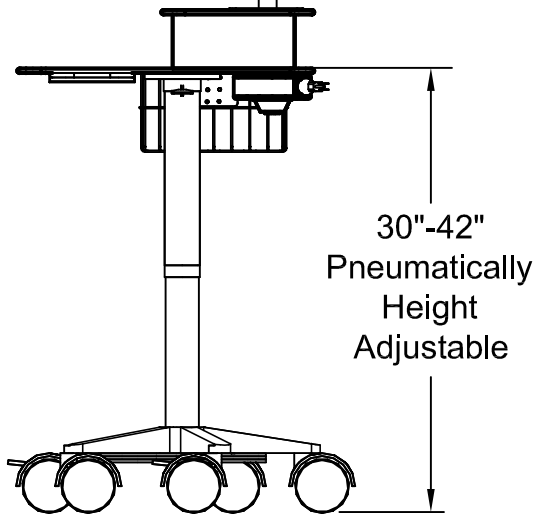


ISOMETRIC VIEW

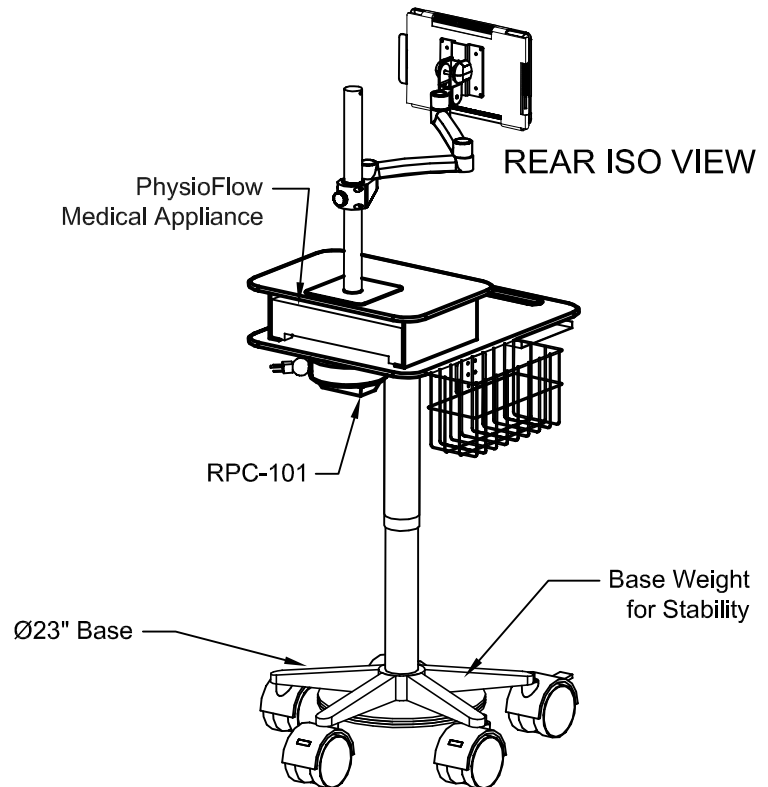


Holder for
Tablet Surface pro 3
on AFCZ566 Arms
Locked by Security Screws

SIDE VIEW



REAR ISO VIEW



NOTE: Concept drawing only.
Holder Proclip - Part # 541644

DRAWN BY: BD

DATE: 06/30/11

DESCRIPTION:

APPROVED

Tablet Cart

TOLERANCES UNLESS OTHERWISE SPECIFIED

FRACTIONAL ±1/64
2 PLC. DEC. ±.01
3 PLC. DEC. ±.001

FINISH

±.5°
32

ENG:

MFG:

QA:

NOT TO SCALE

SHEET: 1 OF 2

USED ON:

PATH:

\\Fin.Assy\Maxflex\TabletCart\

NUMBER:

LPC200-1825-05_Surface_pro3

REV: SIZE
. A