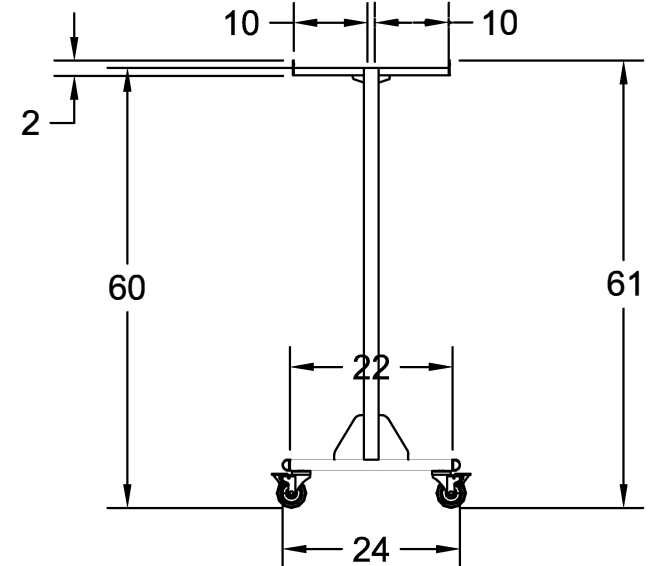
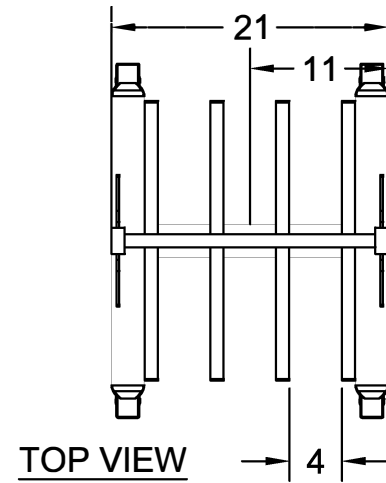


(4) 4" Casters
(4) Locking



ISOMETRIC VIEW

NOTES :

MATERIAL :
AS NOTED ABOVE

TOLERANCES UNLESS OTHERWISE SPECIFIED
FRACTIONAL ±1/64
2 PLC. DEC. ±.01
3PLC. DEC. ±.001
ANGULAR ±.5°
FINISH √

DRAWN BY : GM/MC

DATE: 10/13/14

DESCRIPTION :

Lead Jacket Holder Stand

A P P R O V E D

ENG :

USED ON :

MFG :

PATH :

QA :

NUMBER :

SCALE: N.T.S.

SHEET: 1 OF 1

LDJKT-STND-02