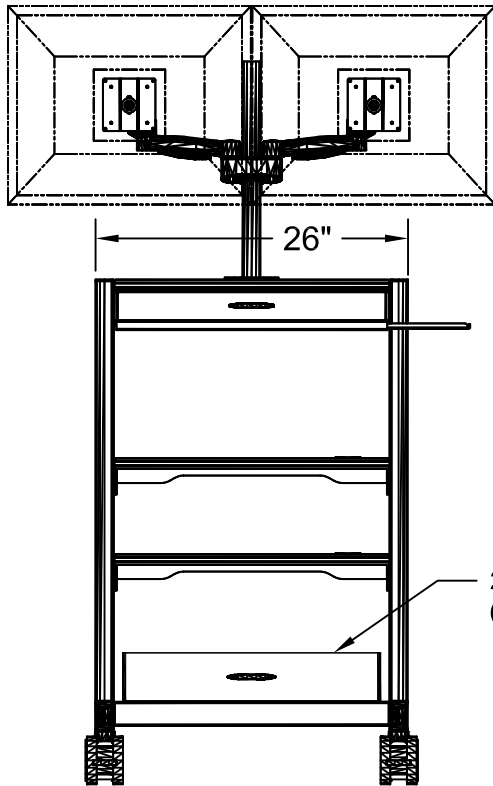
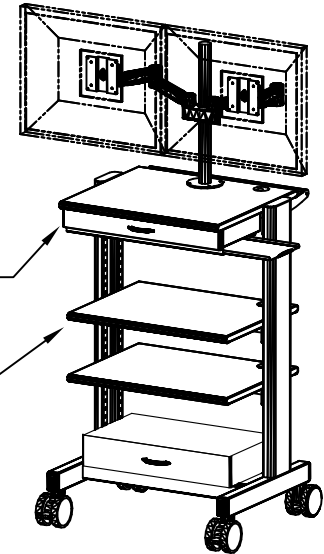
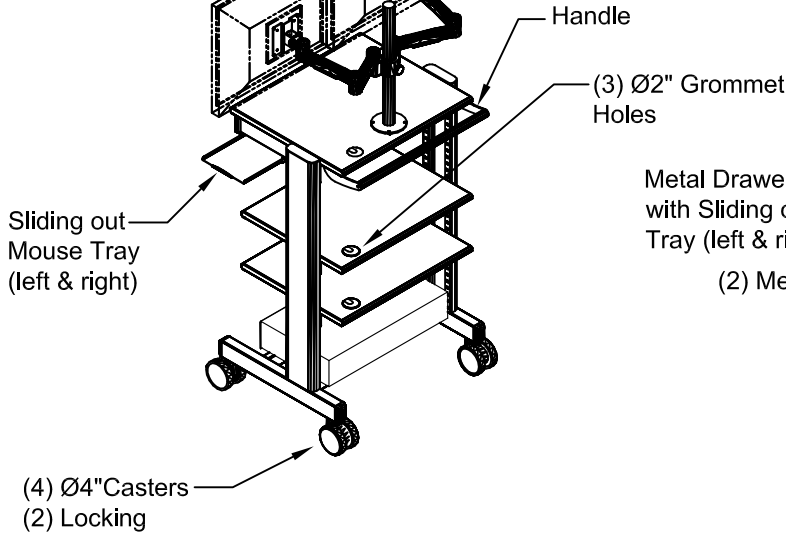


18" Pole Grommet Mount with
AFCZ5-88-2 VESA 75/100
Compliant Monitor Holder

ISOMETRIC VIEWS

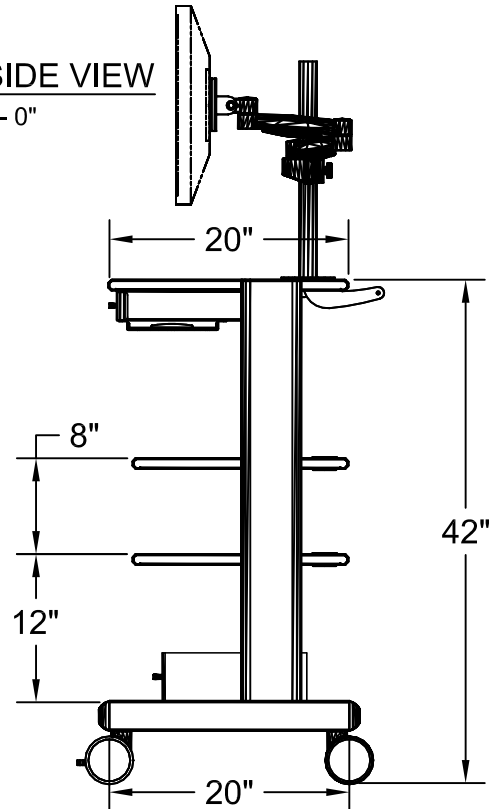
SCALE: ~1/2" = 1' - 0"



FRONT VIEW

SIDE VIEW

SCALE: 3/4" = 1' - 0"



NOTE:	DRAWN BY: BD	DATE: 9/9/15	DESCRIPTION:
	A P P R O V E D		LAB CART
	ENG:		USED ON:
TOLERANCES UNLESS OTHERWISE SPECIFIED FRACTIONAL ±1/64 2 PLC. DEC. ±.01 3 PLC. DEC. ±.001 ANGULAR ±.5° FINISH	MFG:		PATH: \\Fin.Assy\CartsSystem\Lab Cart\
	QA:		NUMBER:
	SCALE AS SHOWN	SHEET: 1 OF 1	LB200_262042_2FZ_KB_Sh_Sh_Drw_01