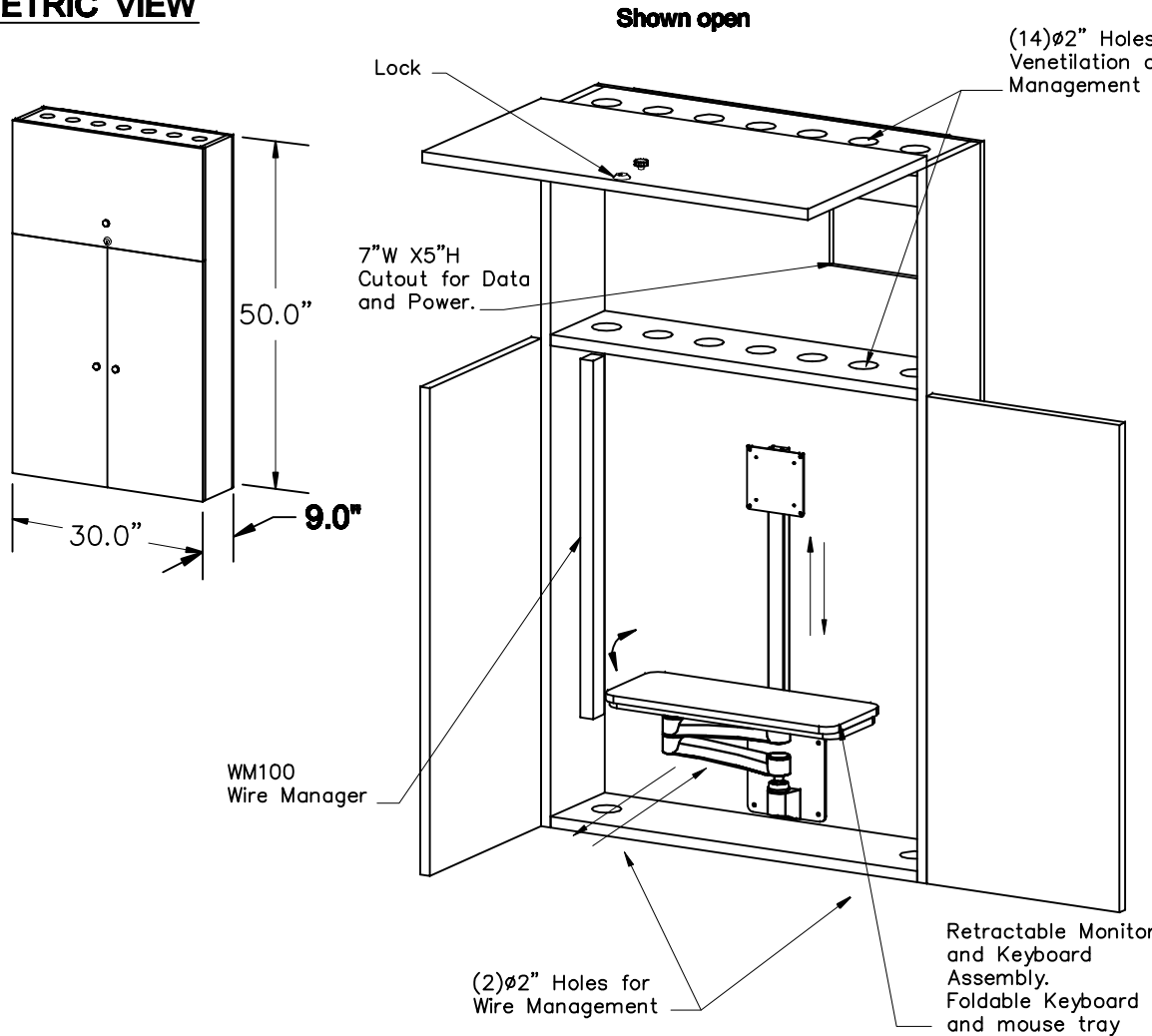
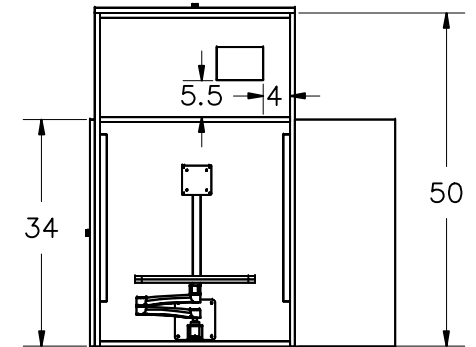


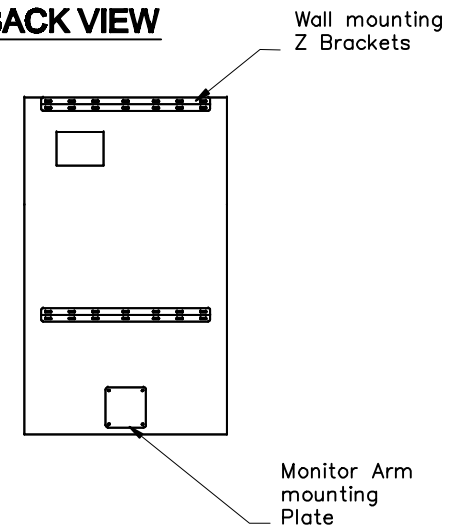
ISOMETRIC VIEW



FRONT VIEW



BACK VIEW



NOTES:

MATERIAL:

TOLERANCES UNLESS OTHERWISE SPECIFIED
 FRACTIONAL $\pm 1/64$
 2 PLC. DEC. $\pm .01$
 3 PLC. DEC. $\pm .001$
 ANGULAR
 FINISH

DRAWN BY: VGM/KH

DATE: 03-22-10

DESCRIPTION:

I-CENTER

APPROVED

USED ON:

ENG:

MFG:

QA:

PATH:

L:\Fin.Assemb\I-CENTER\IR400

PDF NAME:

IR400-001

REV: SIZE
A