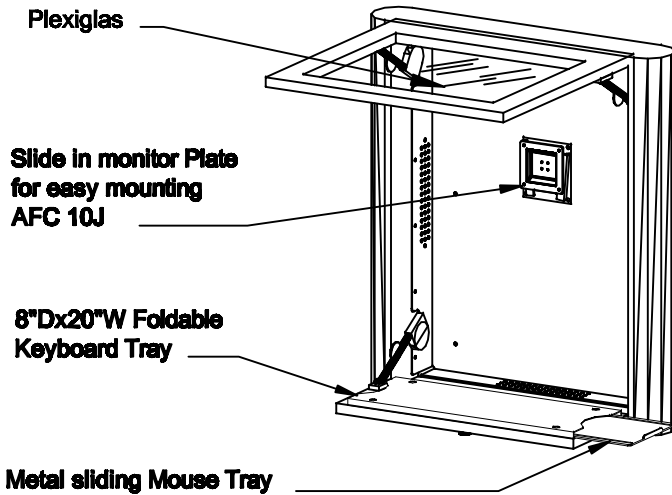
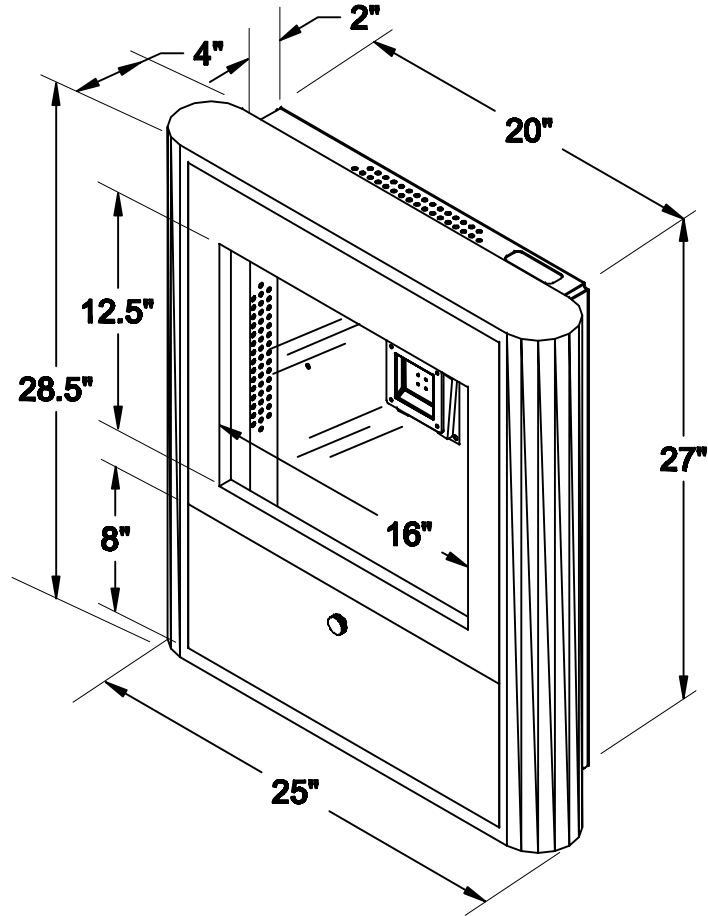
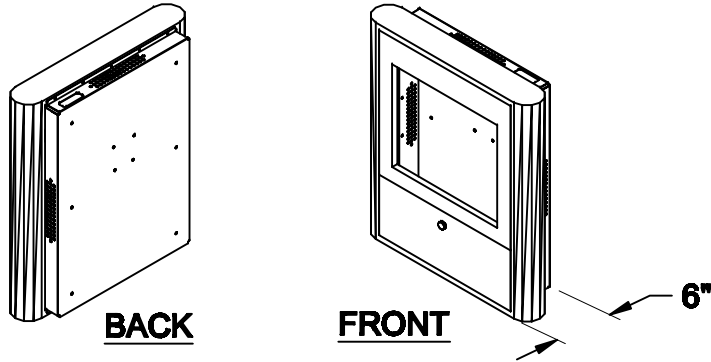


**ISOMETRIC VIEWS**



**NOTES :**

**MATERIAL :**

**DRAWN BY: KH**

**DATE: 11-26-10**

**DESCRIPTION :**

**APPROVED**

**I-CENTER**

TOLERANCES UNLESS OTHERWISE SPECIFIED

**ENG :**

**USED ON :**

FRACTIONAL ±1/64  
2 PLC. DEC. ±.01  
3 PLC. DEC. ±.001  
ANGULAR

**MFG :**

**PATH :**

**L:\Fin.Assembl\I-CENTER\IR100**

**FINISH**

**QA :**

**PDF NAME :**

**IR100-019**

**REV: SIZE A**

**NOT TO SCALE**

**SHEET :**

**1 OF 1**