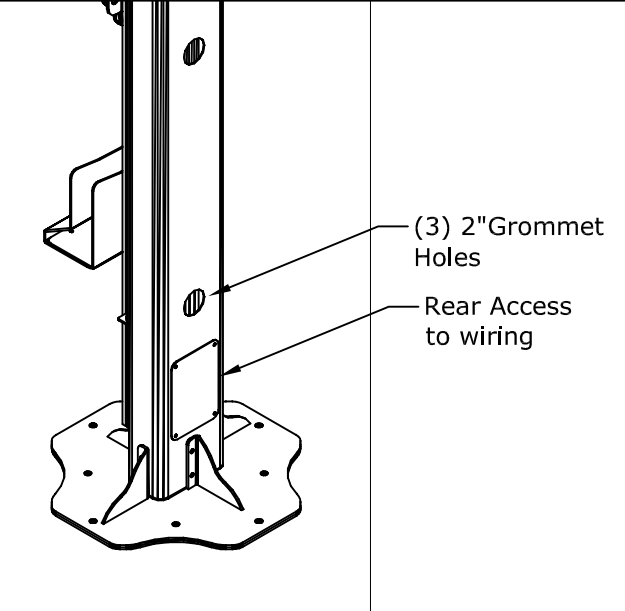
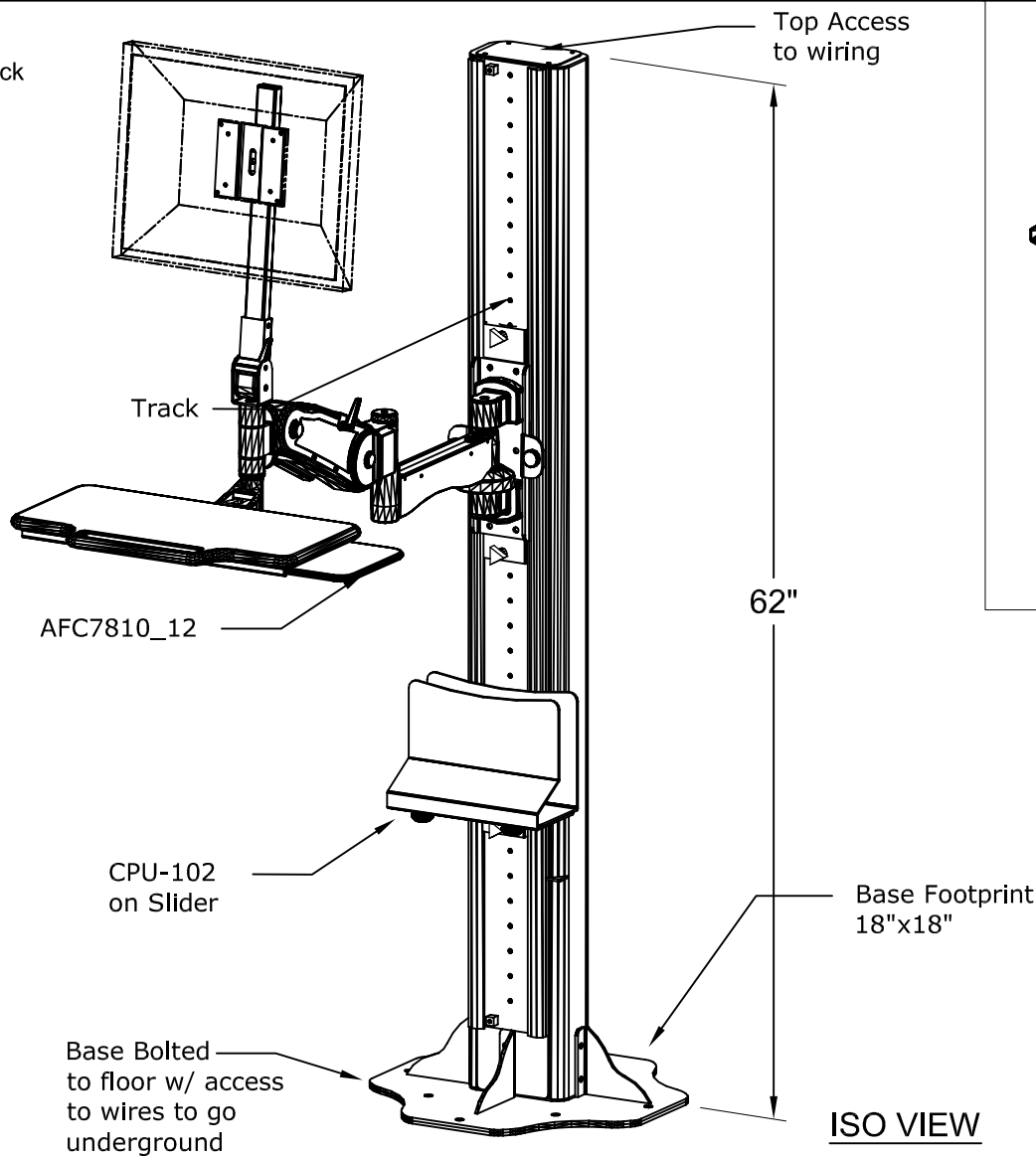


Safety Stopper
at Each End of track



NOTES :

All items on Track are individually height adjustable along the track

MATERIAL :

AS NOTED ABOVE

TOLERANCES UNLESS OTHERWISE SPECIFIED
 FRACTIONAL ±1/64
 2 PLC. DEC. ±.01
 3PLC. DEC. ±.001
 ANGULAR ±.5'
 FINISH $\sqrt{32}$

DRAWN BY: PR/BD/MC

DATE: 03/18/15

DESCRIPTION :

FLOOR MOUNT

A P P R O V E D

ENG :

MFG :

QA :

SCALE :

SHEET : 1 OF 1

USED ON :

PATH : Final Assmby/Accessories/Floor Mount

PDF NAME:

FM62 AFC7810_12_C_01

REV: SIZE
A