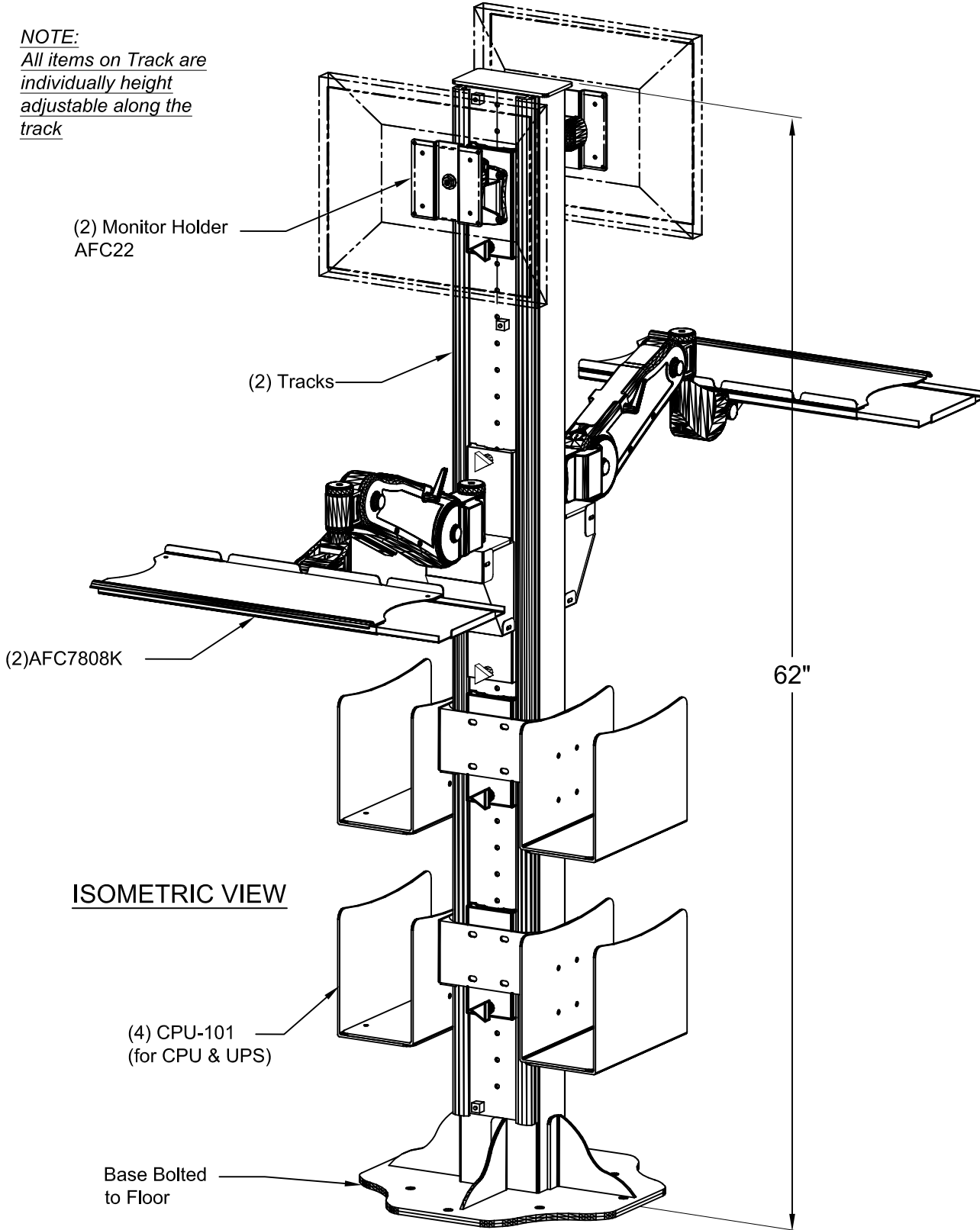


NOTE:
All items on Track are individually height adjustable along the track



MATERIAL :	DRAWN BY: BD	DATE: 12/08/10	DESCRIPTION :
	APPROVED		FLOOR MOUNT
TOLERANCES UNLESS OTHERWISE SPECIFIED FRACTIONAL ±1/64 2 PLC. DEC. ±.01 3 PLC. DEC. ±.001 ANGULAR ±.5° FINISH $\sqrt{32}$	ENG :		USED ON :
	MFG :		PATH :
	QA :		NUMBER :
	SCALE : ~1:8	SHEET : 1 OF 1	FM62_2F_2AFC7808K_4C_00-01