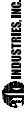




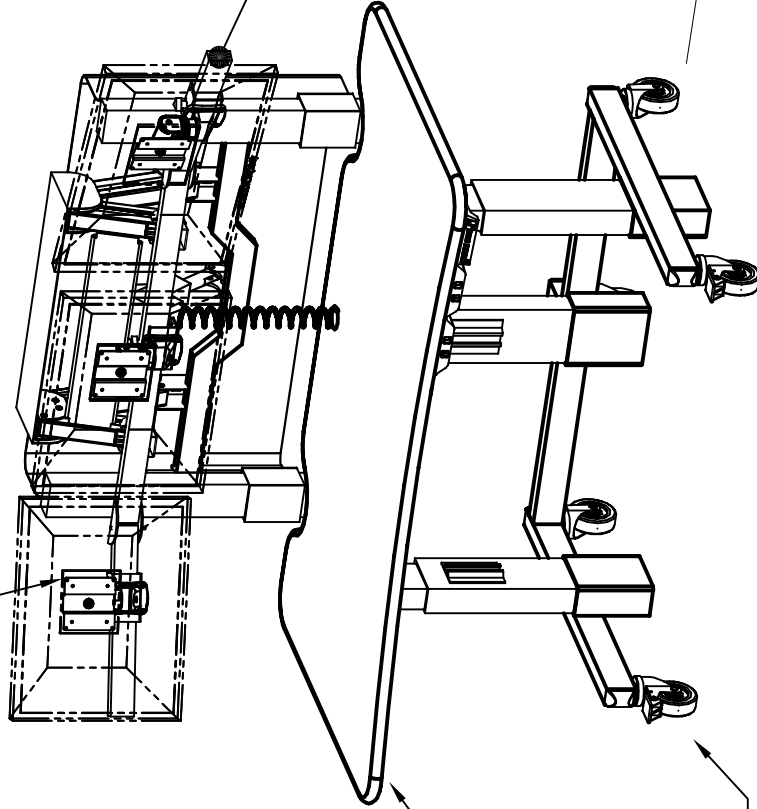
13-16 133 PLACE
COLLEGE POINT, NY 11356

TEL: (718) 747-0237
FAX: (718) 747-0726

THE PLANS AND DRAWINGS CONTAINED HEREIN ARE PROPRIETARY AND MAY NOT BE COPIED OR REPRODUCED MECHANICALLY, ELECTRONICALLY OR BY ANY MEANS WITHOUT WRITTEN PERMISSION FROM AFC INDUSTRIES, INC.



Electronically Height Adjustable and Electronically Retractable Platform on Telescopic Drives for (3) AFCZ6-00 VESA 75/100 Compliant Monitor Holder

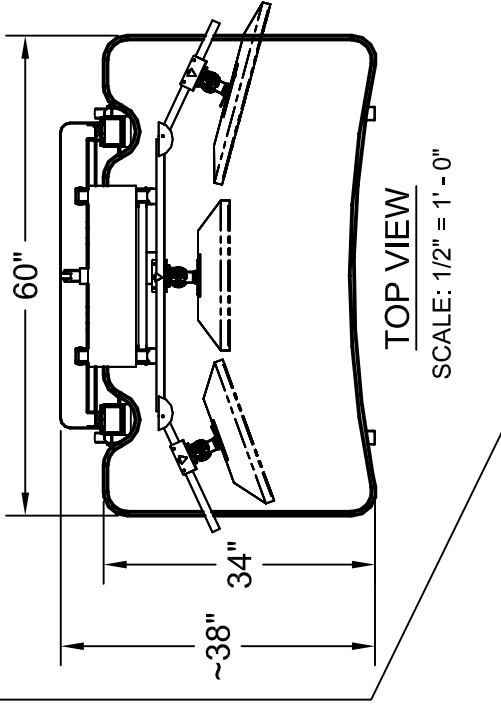


Work Surface w/Bumper Molding & Soft Ergo Cutout

(5) Ø4" Casters
(2) Locking

Electronically Adjustable

28"-47" Electronically Height Adjustable



TOP VIEW

SCALE: 1/2" = 1' - 0"

ISOMETRIC VIEW

NOTES:	MATERIAL:	DRAWN BY: BD/JMC	DATE: 02/01/15	DESCRIPTION: Ergo Tier Cart
	TOLERANCES UNLESS OTHERWISE SPECIFIED	APPROVED		
	FRACTIONAL: ±1/64	ENG:		USED ON:
	2 PLC. DEC. ±.01	MFG:		
	3 PLC. DEC. ±.001	QA:		
	ANGULAR: ±5°	PATH: I:\F_Assy\Maxflex\ErgoTier\EFXI		
	FINISH	PDF NAME: ET6034_B SE 0_3EFX_0 0 0_01		
		SCALE: ~3/4" = 1' - 0"		
		SHEET: 1 OF 1		
		REV: SIZE A		