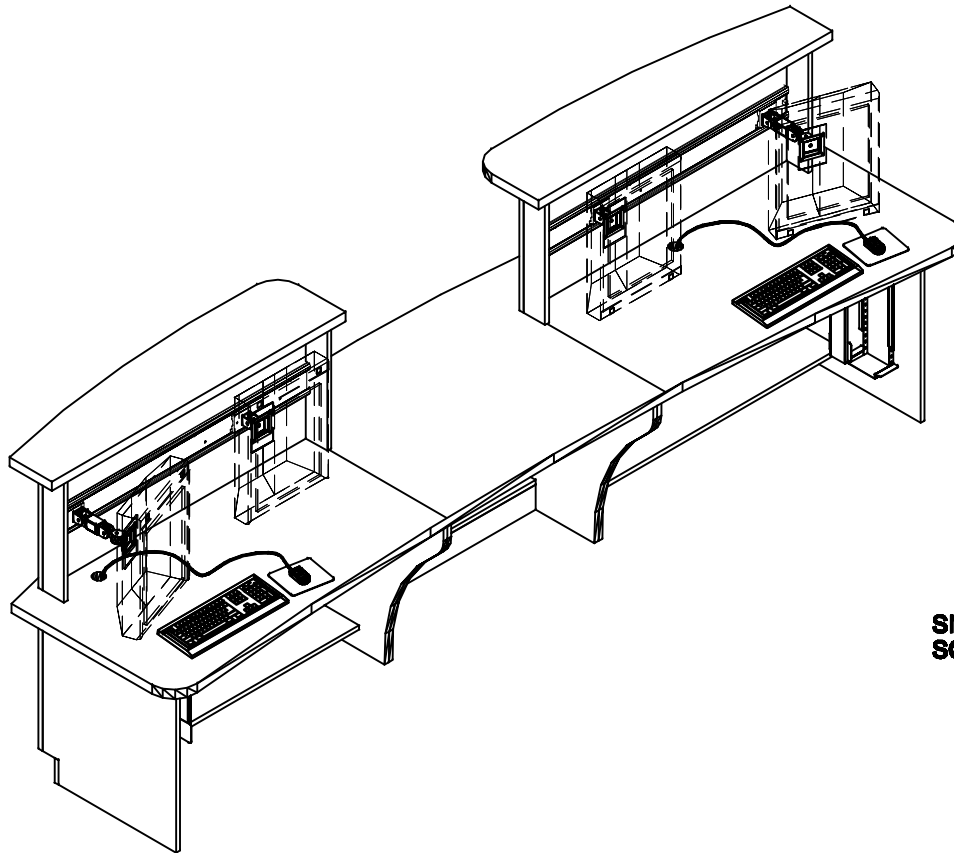
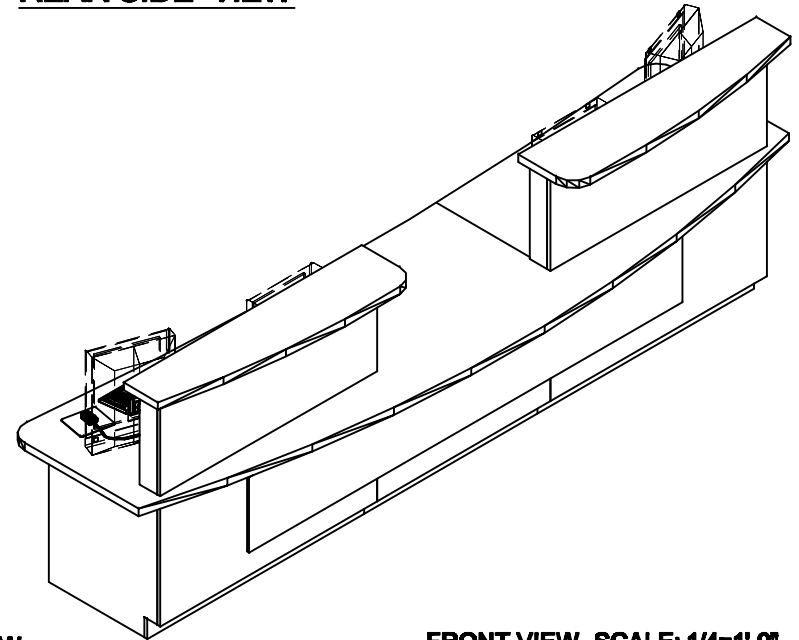


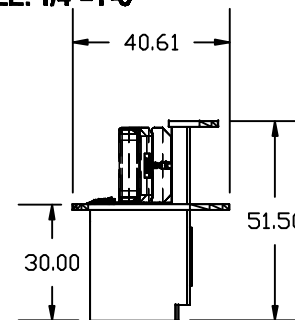
ISOMETRIC VIEW



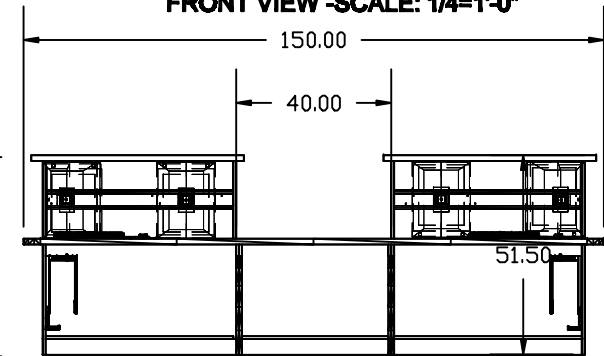
REAR SIDE VIEW



**SIDE VIEW
SCALE: 1/4"=1'-0"**



FRONT VIEW - SCALE: 1/4"=1'-0"



NOTES:

MATERIAL:

TOLERANCES UNLESS OTHERWISE SPECIFIED

FRACTIONAL ±1/64

2 PL.C. DEC. ±.01

3PLC. DEC. ±.001

ANGULAR

FINISH

DRAWN BY: KH

DATE: 12-09-09

DESCRIPTION:

NURSE STATION

APPROVED

USED ON:

ENG:

MFG:

QA:

PATH:

L:\Fin.Assambl.IDTL

PDF NAME:

D0108

REV: SIZE

. A

SHEET: 10F1