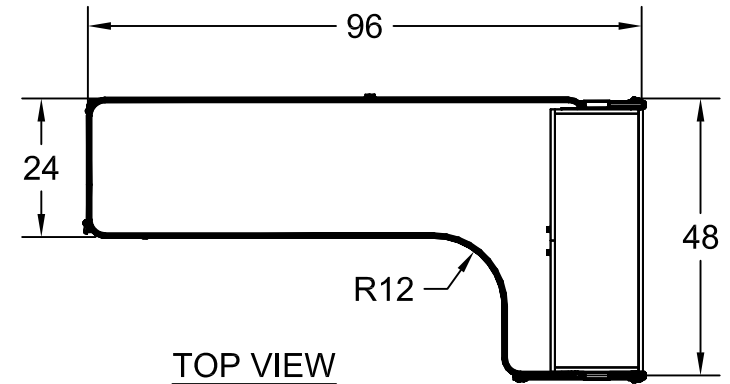
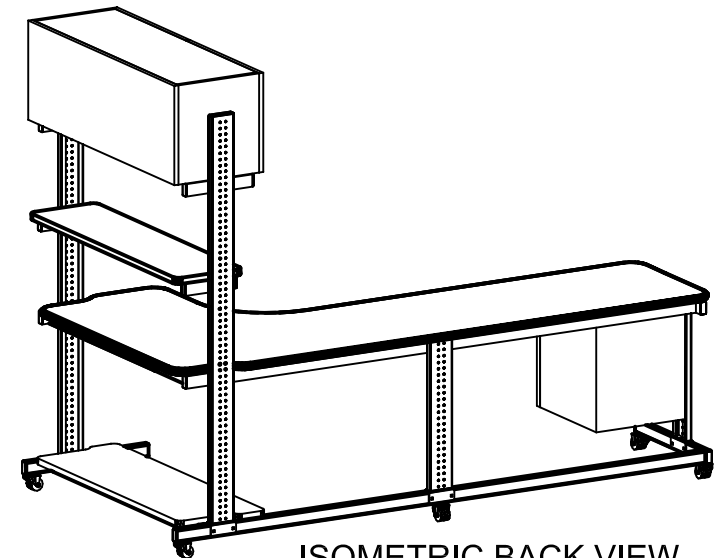


ISOMETRIC FRONT VIEW



TOP VIEW



ISOMETRIC BACK VIEW

NOTES :
*** Drawers size have to be confirmed by Customer

MATERIAL :
AS NOTED ABOVE

TOLERANCES UNLESS OTHERWISE SPECIFIED
FRACTIONAL ±1/64
2 PLC. DEC. ±.01
3PLC. DEC. ±.001
ANGULAR ±.5°
FINISH √

DRAWN BY : BD

DATE: 03/16/10

DESCRIPTION:

A P P R O V E D

Corner Smart Cart CSC9648242476

ENG :

USED ON :

MFG :

PATH :
F.ASSmby\Smart carts\Corner SC\

QA :

PDF NAME:

SCALE : N.T.S.

CSC9648242476_B_R_0000_00_00_F_T+F_01