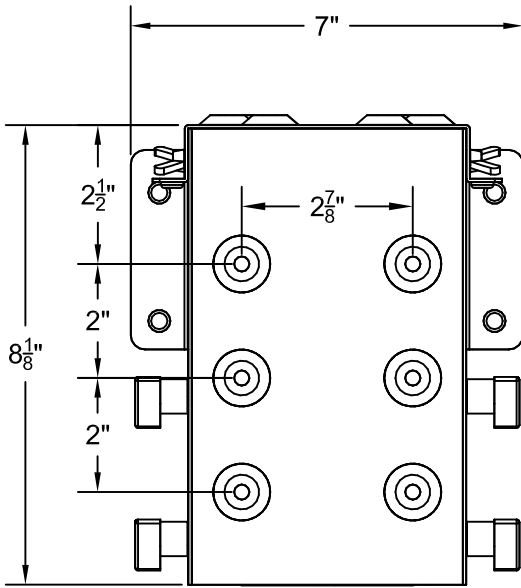
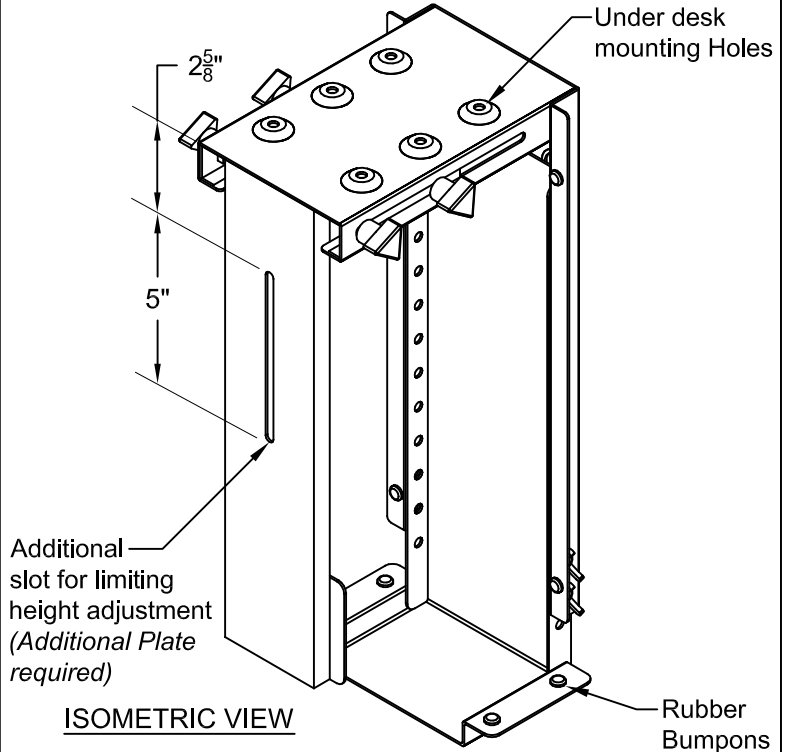


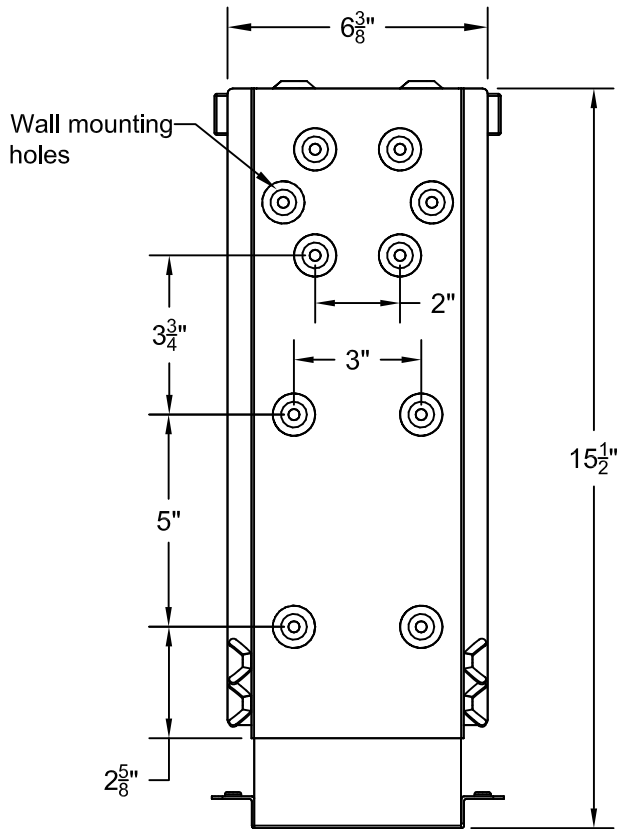
CPU HOLDER: CPU13-25
Wall Mount / Under desk Mount



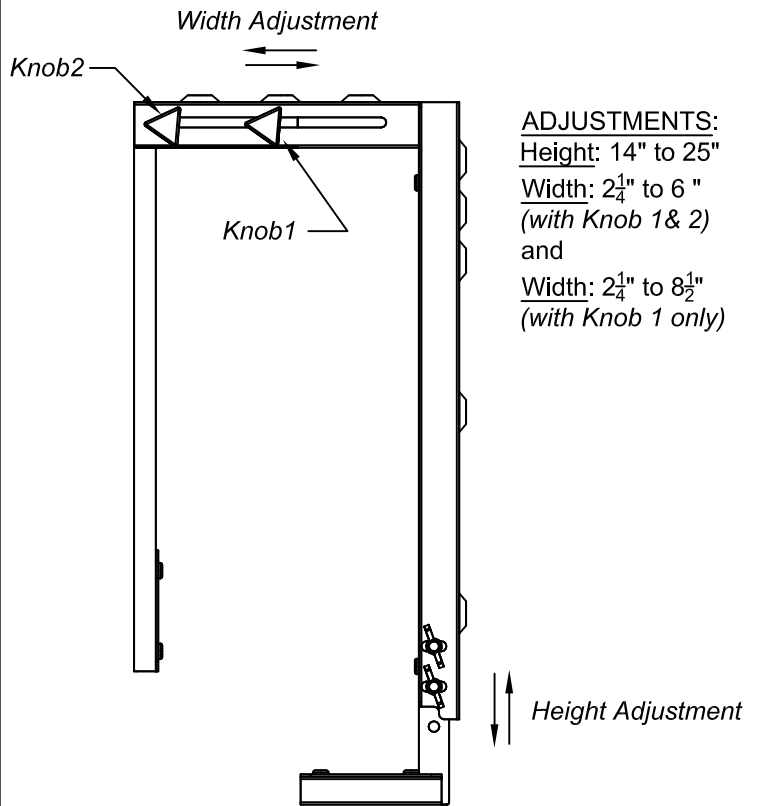
TOP VIEW



ISOMETRIC VIEW



BACK VIEW
Mounting Hole Pattern



ADJUSTMENTS:
Height: 14" to 25"
Width: 2 1/4" to 6" (with Knob 1 & 2) and
Width: 2 1/4" to 8 1/2" (with Knob 1 only)

SIDE VIEW

MATERIAL :	DRAWN BY : PR	DATE: 01/27/11	DESCRIPTION :		
	A P P R O V E D		CPU HOLDER		
TOLERANCES UNLESS OTHERWISE SPECIFIED FRACTIONAL ±1/64 2 PLC. DEC. ±.01 3PLC. DEC. ±.001 ANGULAR ±.5° FINISH √32	ENG :		USED ON :		
	MFG :		PATH : Accessories/CPU Holder/CPU13-25		
	QA :		NUMBER :	CPU13-25_01	LAYER :
	SCALE: N.T.S.	SHEET : 1 OF 1	REV:	SIZE	A