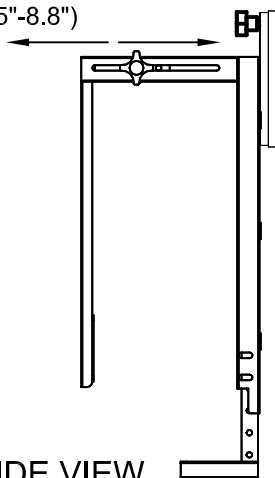


TOP VIEW

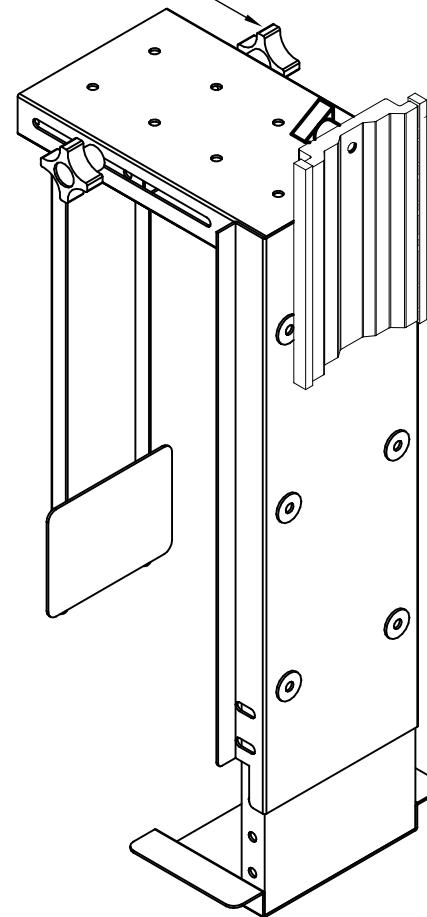
DEPTH ADJUSTABLE
(2.75"-8.8")



SIDE VIEW

HEIGHT ADJUSTABLE
(14.4"-26.4")

LOCKING KNOBS



SLIDER

ISOMETRIC VIEW

NOTES :

MATERIAL :
AS NOTED ABOVE

TOLERANCES UNLESS OTHERWISE SPECIFIED
FRACTIONAL ±1/64
2 PLC. DEC. ±.01
3PLC. DEC. ±.001
ANGULAR ±.5°
FINISH ∇

DRAWN BY : PR

A P P R O V E D

DATE: 07/30/09

ENG :

MFG :

QA :

SCALE : N.T.S.

SHEET : 1 OF 1

DESCRIPTION :

CPU13-25 on Wall Mount Track

USED ON :

PATH :

Fin.Assm/Accessories/CPU Holder/WMCPU

PDF NAME:

CPU13-25 with Slider

FOLDER :

REV:

SIZE

A