

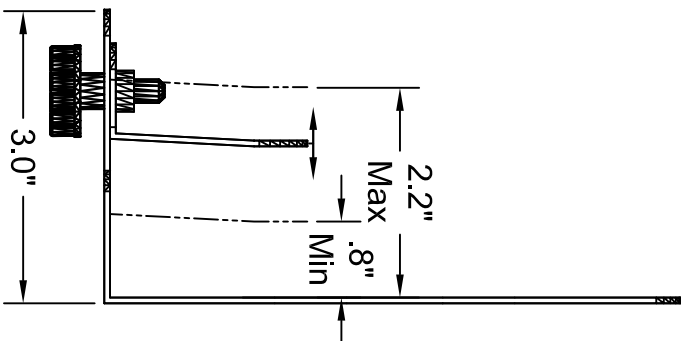


INDUSTRIES, INC.

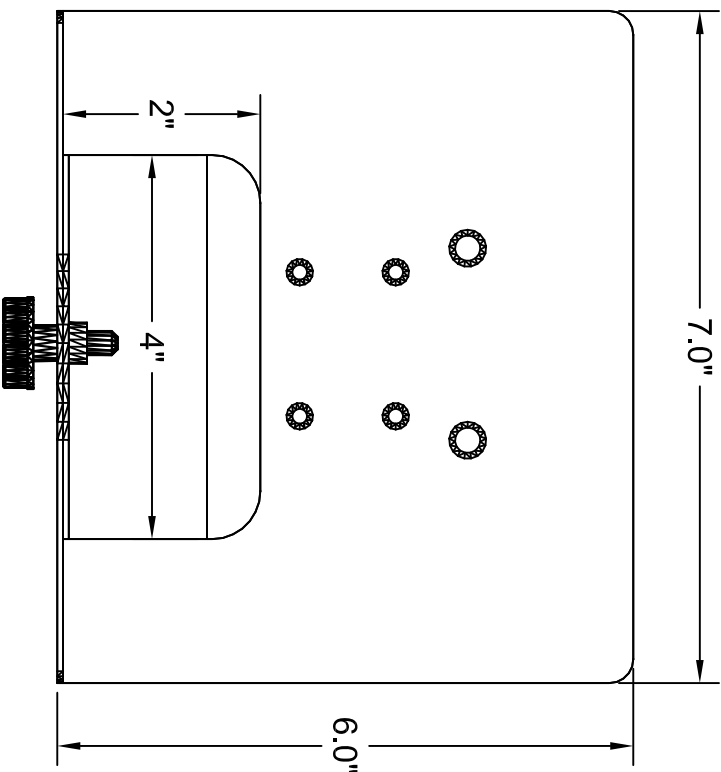
13-16 133 PLACE
COLLEGE POINT, NY 11356

TEL: (718) 747-0237
FAX: (718) 747-0726

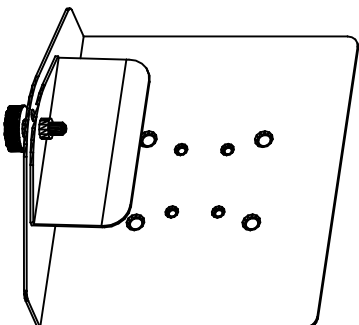
THE PLANS AND DRAWINGS CONTAINED HEREIN ARE PROPRIETARY AND MAY NOT BE COPIED OR REPRODUCED MECHANICALLY, ELECTRONICALLY OR BY ANY MEANS WITHOUT WRITTEN PERMISSION FROM AFC INDUSTRIES, INC.



SIDE VIEW
SCALE: 6" = 1'-0"



FRONT VIEW
SCALE: 6" = 1'-0"



ISOMETRIC VIEW
SCALE: ~3" = 1'-0"

NOTES:

MATERIAL:

DRAWN BY: BD

DATE: 02/01/13

DESCRIPTION:

Small CPU Holder

TOLERANCES UNLESS OTHERWISE SPECIFIED

ENG:

DATE: 02/01/13

USED ON:

FRACTIONAL ±.1/64

MFG:

2 PLG. DEC. ±.01

QA:

3 PLG. DEC. ±.001

SCALE AS SHOWN

SHEET: 1 OF 1

PDF NAME:

CPU-103

REV: SIZE A

±.5°
32°

PATH: \\Fin.Assy\Accessories\CPU Holders\CPU100\
CPU-103