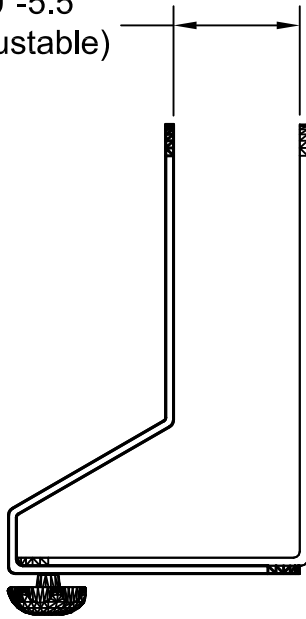
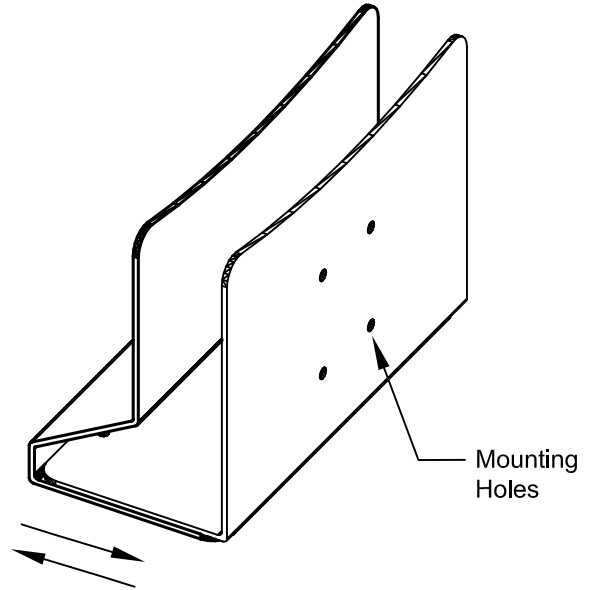


2.0"-5.5"
(Adjustable)

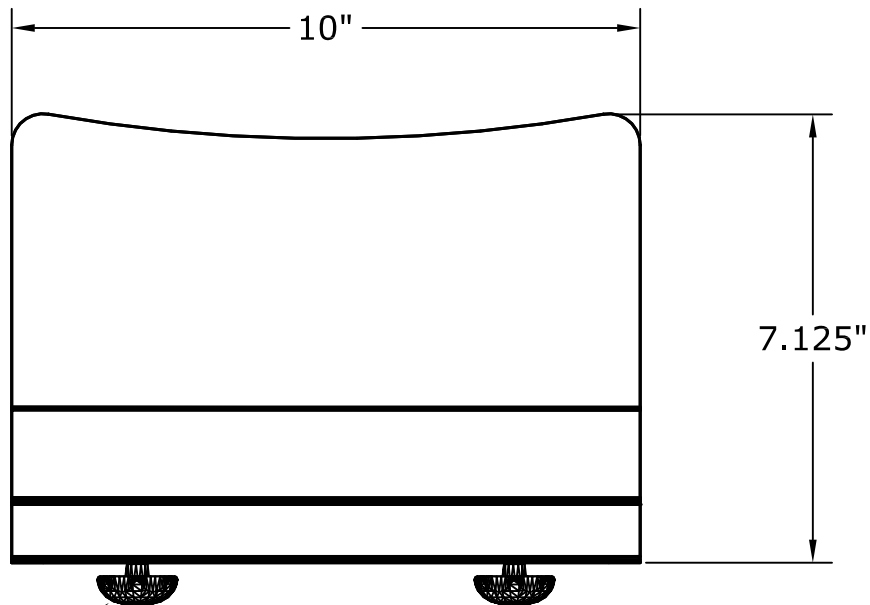


SIDE VIEW



ISOMETRIC VIEW

FRONT VIEW



(2) Knobs
for adjusting width

MATERIAL :	DRAWN BY: BD	DATE: 07/26/11	DESCRIPTION :
	A P P R O V E D		CPU Holder
TOLERANCES UNLESS OTHERWISE SPECIFIED FRACTIONAL ±1/64 2 PLC. DEC. ±.01 3PLC. DEC. ±.001 ANGULAR ±5° FINISH $\sqrt{32}$	ENG :		USED ON :
	MFG :		
	QA :		PATH : \\Fin.Assy\Accessories\CPU Holders\CPU-101,102\
	NOT TO SCALE	SHEET: 1 OF 1	NUMBER : CPU-102
			REV: SIZE A