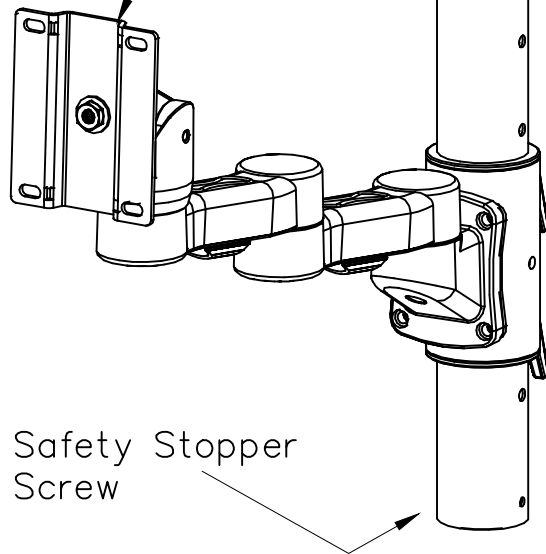


Ceiling mounting plate.

Vertical Adjustable increments of 2"

Flat Panel Monitor Holder AFCZ6-66
MAX MONITOR WEIGHT 35 lbs.
Custom VESA Plate L12951



Safety Stopper Screw

30" ±1"

MATERIAL :	DRAWN BY : VGM/MB	DATE: 1/22/18	DESCRIPTION :
	A P P R O V E D		Vertical Monitor Holder
TOLERANCES UNLESS OTHERWISE SPECIFIED FRACTIONAL ±1/64 2 PL. DEC. ±.01 3PLC. DEC. ±.001 ANGULAR ±.5' FINISH √	EN :		USED ON :
	MFG. :		PATH : F.ASSY\Accessories\Monitor arms\Ceiling
	QA :		FILE NAME:
	SCALE: N.T.S.	SHEET : 1 OF 1	CMZ-03_01