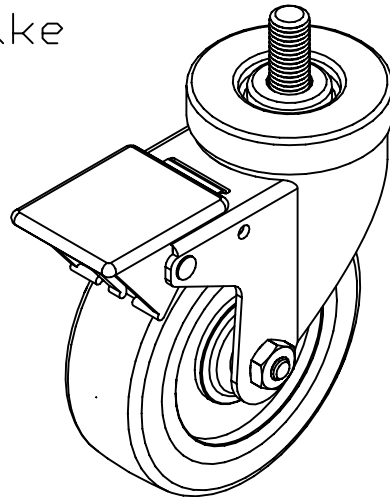
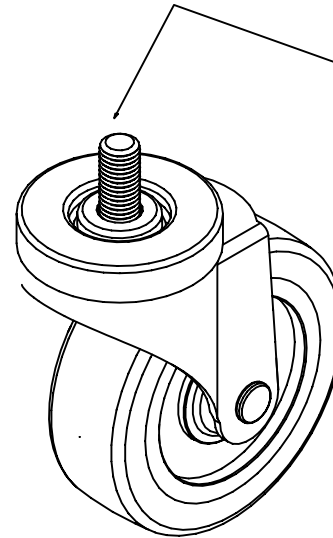


4"
Wheel
w
Brake



4"
Wheel
Without
Brake



NOTES :

MATERIAL : AS NOTED ABOVE	DRAWN BY : PES	DATE: 11/29/05	DESCRIPTION :
	A P P R O V E D		4" Wheels
TOLERANCES UNLESS OTHERWISE SPECIFIED FRACTIONAL ±1/64 2 PLC. DEC. ±.01 3PLC. DEC. ±.001 ANGULAR ±.5° FINISH √	ENG :		USED ON :
	MFG :		PATH :
	QA :		Final Assemblies\Glides & Casters\Casters\New
	SCALE : N.T.S.	SHEET : 1 OF 1	PDF NAME: CAS-4