

Top Shelf
16" Deep

25"
clearance

28"-47"
Electronically
Height
Adjustable

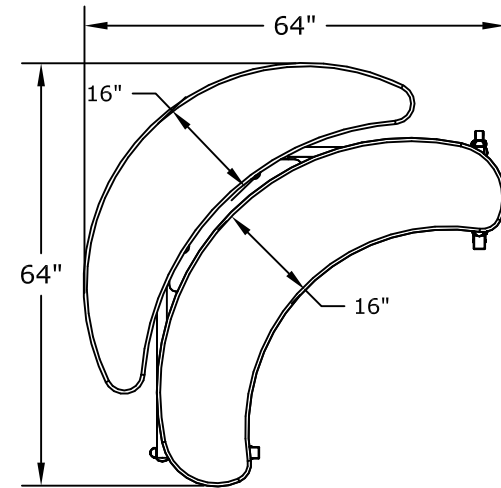
ISO VIEW

Bumper
Molding

Single
Modesty Panel

(5) 4" Casters
(2) Locking

20"x20" Split
Bottom Shelf



TOP VIEW

28"-47"
Electronically
Height
Adjustable

NOTES :

MATERIAL :
AS NOTED ABOVE

TOLERANCES UNLESS OTHERWISE SPECIFIED
FRACTIONAL ±1/64
2 PLC. DEC. ±.01
3PLC. DEC. ±.001
ANGULAR ±.5°
FINISH √32

DRAWN BY : PR

DATE: 07/09/2012

A P P R O V E D

DESCRIPTION :
BANANA Corner Dual Tier-BDT6464

ENG :

MFG :

QA :

SCALE : N.T.S.

SHEET : 1 OF 1

USED ON :

PATH :
FAssmby\Maxflex\Dual Tier\Corner\BDT

NUMBER :
BDT6464_B_S_0000_00_00_T_SB_000_01