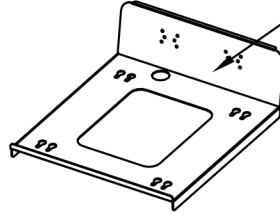


All components can be individually adjusted in height

75/100 VESA Compliant monitor bracket with vertical tilt. AFC16



Updated KB design view

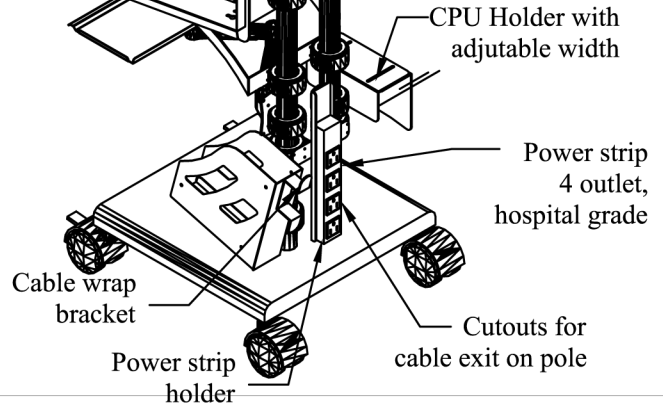


Updated Scanner Shelf design view

23"W KB Tray Tray on articulating Z arm (Lip on 4 sides)

Cassette Holder

(4)4" Casters (2)Locking



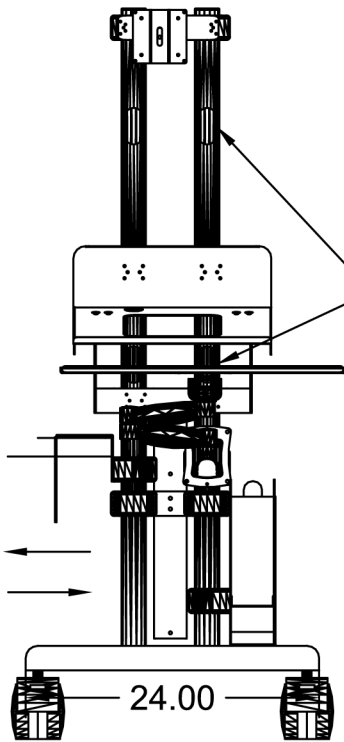
CPU Holder with adjustable width

Power strip 4 outlet, hospital grade

Cable wrap bracket

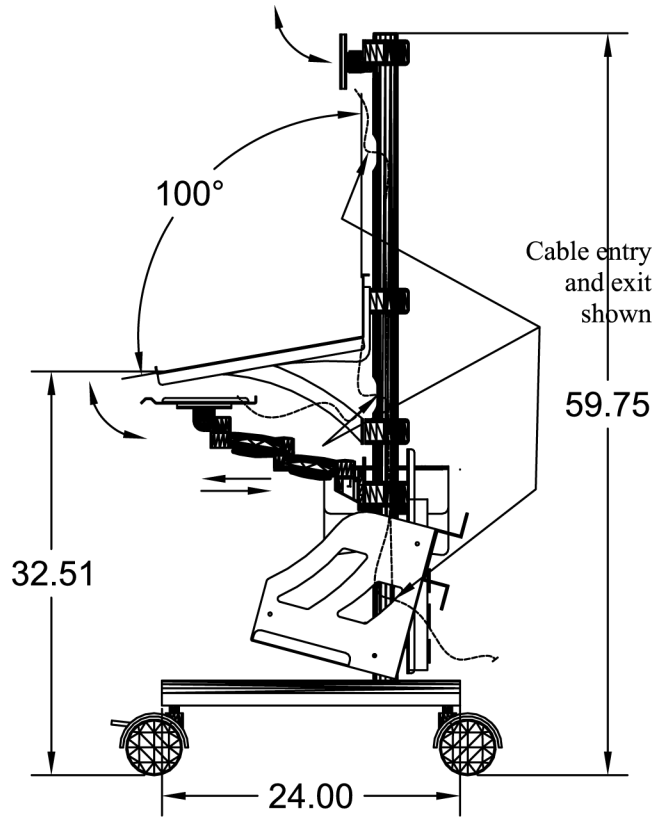
Power strip holder

Cutouts for cable exit on pole



(3)Cutouts for cable management (2)Front (1)Rear

24.00



100°

Cable entry and exit shown

59.75

32.51

24.00

Notes :
Concept Drawing Only.
Final design may vary

DRAWN BY :VGM	DATE: 03/21/11
A P P R O V E D	
ENG :	
MFG :	
QA :	
SCALE: N.T.S.	SHEET : 1 OF 1

DESCRIPTION : ScanX Trek Cart	REV: SIZE A
USED ON :	
PATH :	
NUMBER : ATMPC200-105-01	