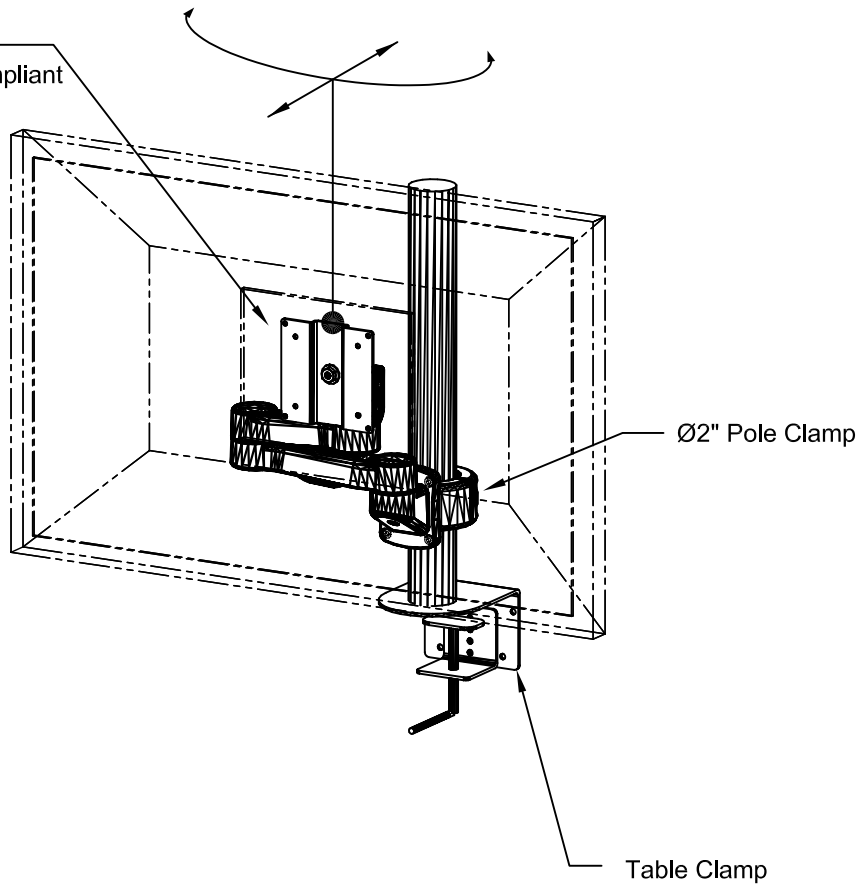
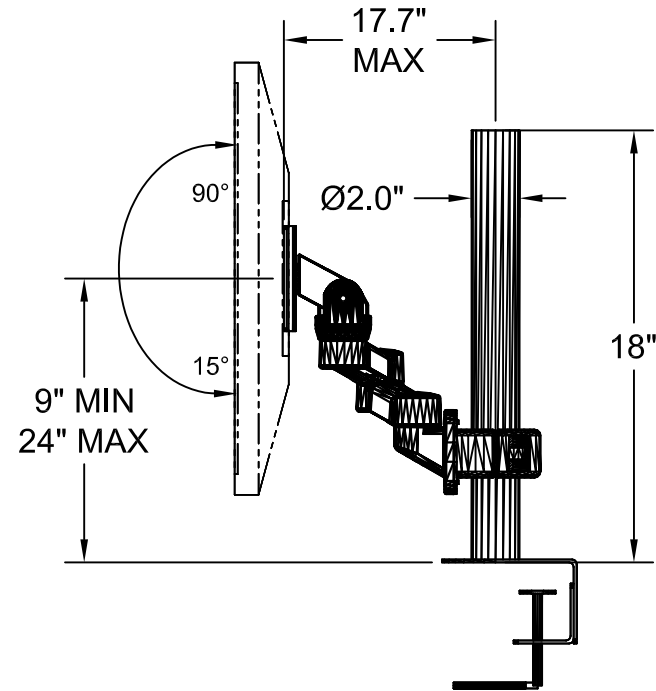


AFCZ6-66  
VESA 75/100 Compliant  
Monitor Holder



ISOMETRIC VIEW



SIDE VIEW

NOTES :

Shown Image of  
30" Monitor  
(28"Wx18"H)

MATERIAL :

TOLERANCES UNLESS  
OTHERWISE SPECIFIED

FRACTIONAL ±1/64  
2 PLC. DEC. ±.01  
3 PLC. DEC. ±.001  
ANGULAR ±.5°  
FINISH  $\sqrt{32}$

DRAWN BY: BD

DATE: 3/12/15

A P P R O V E D

ENG :

MFG :

QA :

SCALE: ~1-1/2" = 1' - 0" SHEET: 1 OF 1

DESCRIPTION :

Monitor Holder

USED ON :

PATH :  
\\F.Assy\Accessories\Monitor Holder\Z Series\Z600\

PDF NAME:  
AFCZ6-66\_DMC\_2-18P

REV: SIZE  
. A