

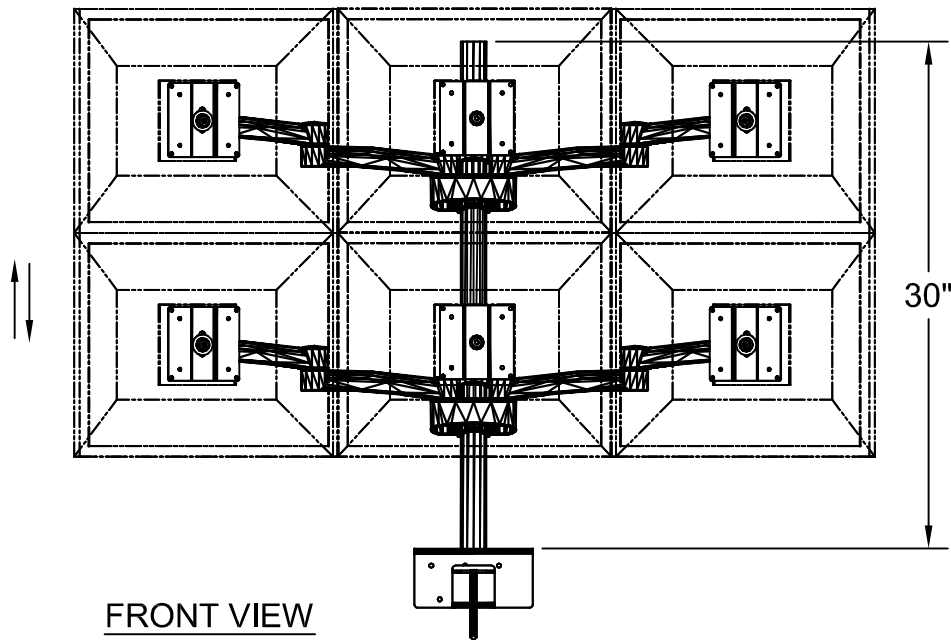
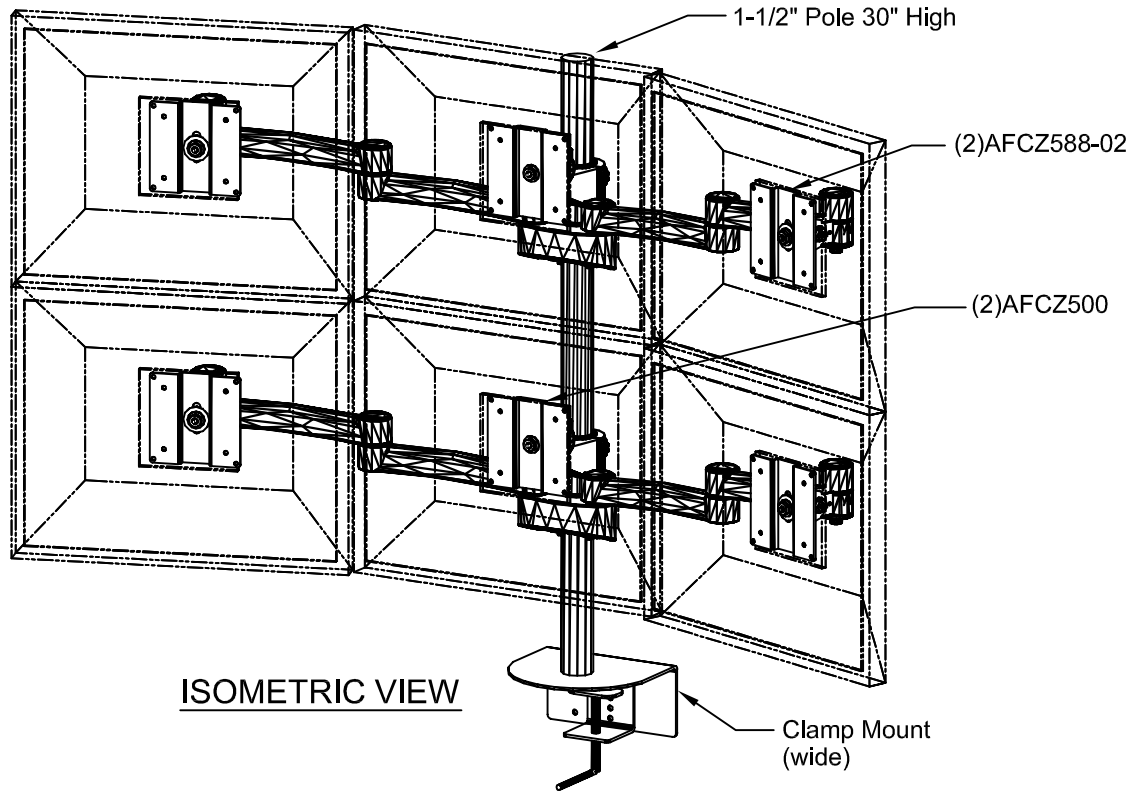


INDUSTRIES, INC.

13-16 133 PLACE
COLLEGE POINT, NY 11356

TEL: (718)747-0237
FAX: (718)747-0726

THE PLANS AND DRAWINGS CONTAINED HEREIN ARE PROPRIETARY AND MAY NOT BE COPIED OR REPRODUCED MECHANICALLY, ELECTRONICALLY OR BY ANY MEANS WITHOUT WRITTEN PERMISSION FROM AFC INDUSTRIES, INC.



| | | | | | |
|--|------------------|----------------|---|---------|-----------|
| MATERIAL : | DRAWN BY : PR/YN | DATE: 12/16/13 | DESCRIPTION : | | |
| | A P P R O V E D | | Monitor Arm-Desktop Mount | | |
| TOLERANCES UNLESS OTHERWISE SPECIFIED FRACTIONAL ±1/64 2 PLC. DEC. ±.01 3PLC. DEC. ±.001 ANGULAR ±.5° FINISH √ | ENG : | | USED ON : | | |
| | MFG : | | PATH : Accessories/Monitor Arms/Z Series/ | | |
| | QA : | | NUMBER : | LAYER : | REV: SIZE |
| | SCALE: N.T.S. | SHEET : 1 OF 1 | AFCZ588-06-DMC-30P | | A |