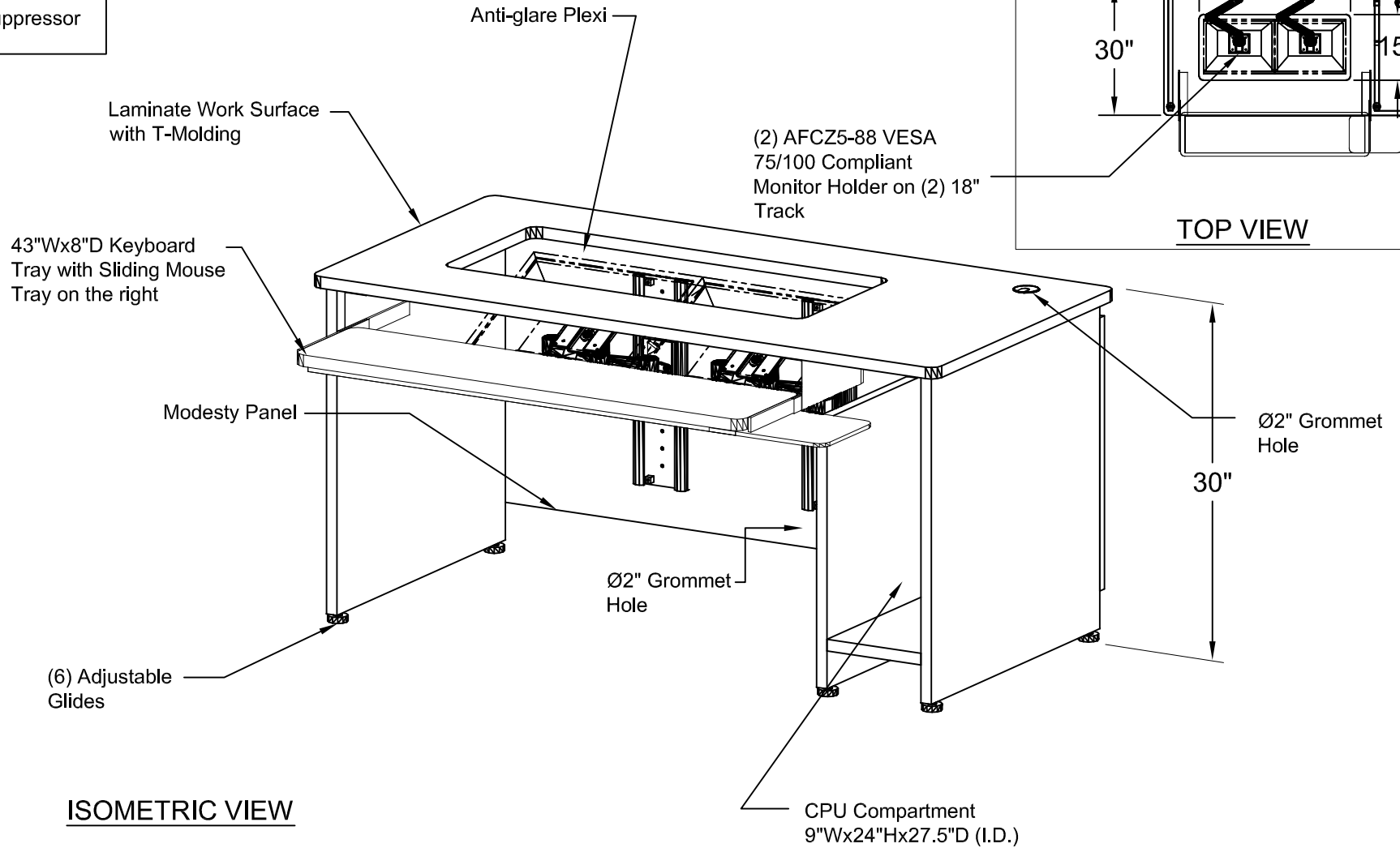


Include:
WM-100A Wire Manager
as needed.
4-outlet Surge Suppressor



ISOMETRIC VIEW

TOP VIEW

NOTES :

Concept drawing only.
Final design may vary

MATERIAL :

TOLERANCES UNLESS OTHERWISE SPECIFIED
FRACTIONAL ±1/64
2 PLC. DEC. ±.01
3 PLC. DEC. ±.001
ANGULAR ±5°
FINISH

DRAWN BY: YN

DATE: 02/18/13

DESCRIPTION :

Custom Workstation

APPROVED

USED ON :

ENG :

MFG :

QA :

·

PATH :
\\Customers\Bid\

PDF NAME:
AFCWS_603030_101

REV: SIZE
· A

NOT TO SCALE

SHEET: 1 OF 1