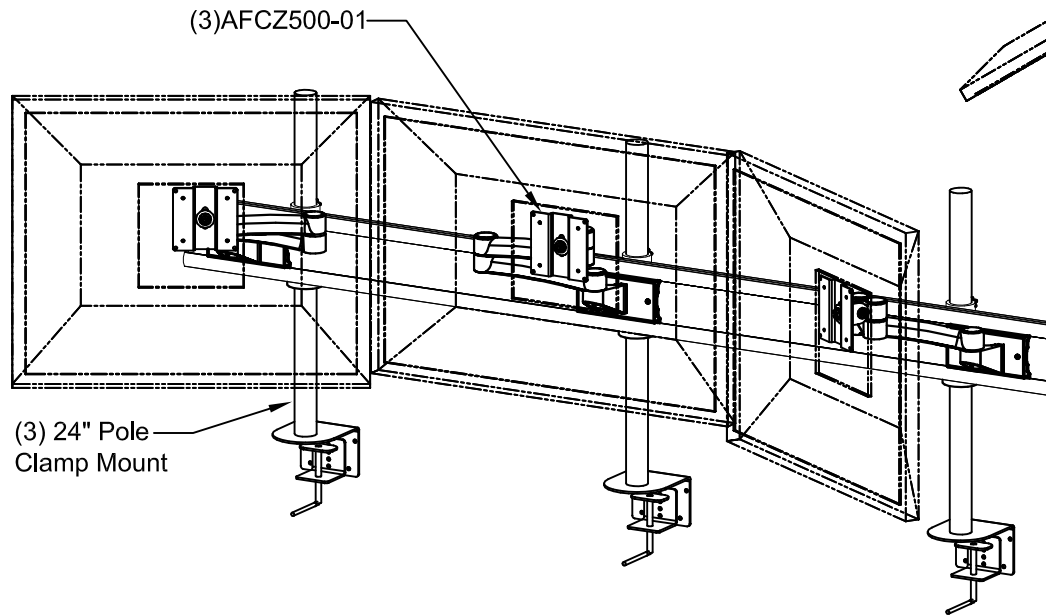


TOP VIEW



ISOMETRIC VIEW

MONITOR SPECS:

Center: 28"W, 23.8 lbs
Sides: 25"W, 16lbs each
Mounting: Standard VESA

NOTES :

MATERIAL :
AS NOTED ABOVE

TOLERANCES UNLESS OTHERWISE SPECIFIED
FRACTIONAL ±1/64
2 PLC. DEC. ±.01
3PLC. DEC. ±.001
ANGULAR ±.5°
FINISH $\sqrt{32}$

DRAWN BY : PR

DATE: 11/11/09

DESCRIPTION :

AFC Rail-01

A P P R O V E D

ENG :

MFG :

QA :

SCALE : N.T.S.

SHEET : 1 OF 1

USED ON :

PATH :

F.ASSMBLY\ACC\Monitor Arms\AFCRail-01\

NUMBER :

AFCRail-01_3Z500-01