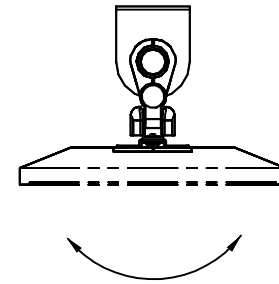
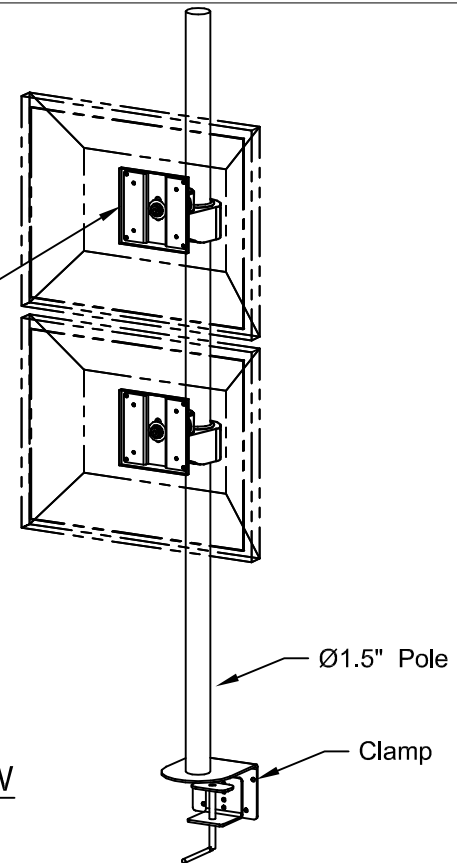


SIDE VIEW

TOP VIEW



(2) AFCZ-5-00
VESA 75/100 Compliant
Monitor Holder
on Pole Clamp



ISOMETRIC VIEW

NOTES :

MATERIAL :

DRAWN BY : BD/YN/JK

DATE : 07/29/14

DESCRIPTION :

Desktop Monitor Holder

A P P R O V E D

USED ON :

TOLERANCES UNLESS OTHERWISE SPECIFIED
FRACTIONAL ±1/64
2 PLC. DEC. ±.01
3 PLC. DEC. ±.001
ANGULAR ±.5°
FINISH $\sqrt{32}$

ENG :

MFG :

QA :

PATH :
\\Fin.Assy\Accessories\Monitor Arms\Desktop\

PDF NAME :
AFCPole2MV-2

REV: SIZE
. A

NOT TO SCALE

SHEET : 1 OF 1