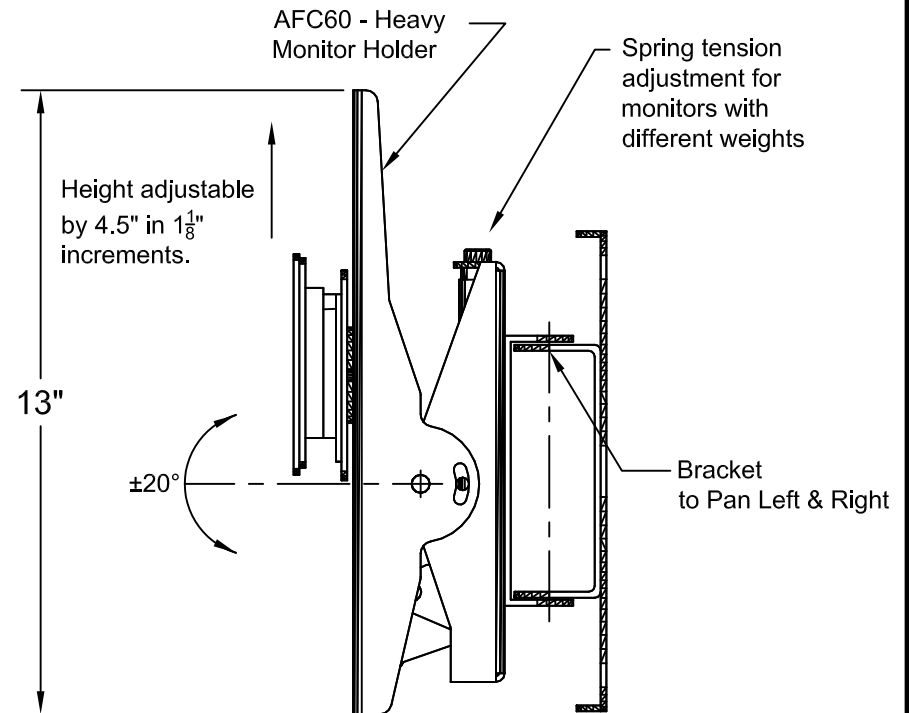


ISOMETRIC VIEW



SIDE VIEW

NOTES:

Concept drawing only.
Final design may vary
* - dimensions for monitor
Barco Coronis Uniti
(MDMC-12133)

MATERIAL:

TOLERANCES UNLESS
OTHERWISE SPECIFIED
FRACTIONAL ±1/64
2 PLC, DEC. ±.01
3PLC, DEC. ±.001
ANGULAR ±.001
FINISH

±.5°
32

DRAWN BY: YN/BD

DATE: 4/22/15

A P P R O V E D

ENG:

MFG:

QA:

SCALE: ~3" = 1' - 0"

SHEET: 1 OF 1

DESCRIPTION:

Heavy Monitor Holder Wall Mount

USED ON:

PATH:
\\F.Assy\Accs.\Monitor Holder\AFC60\

PDF NAME:
AFC60_200x100_Pan_WM_01

REV: SIZE
. A