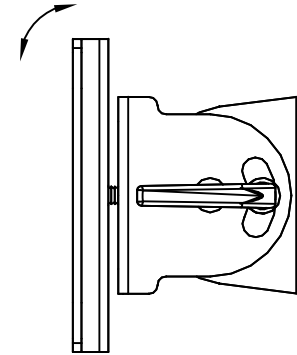
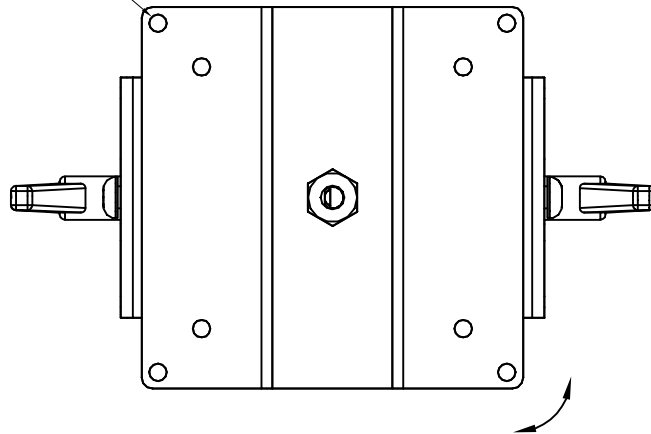


TOP VIEW

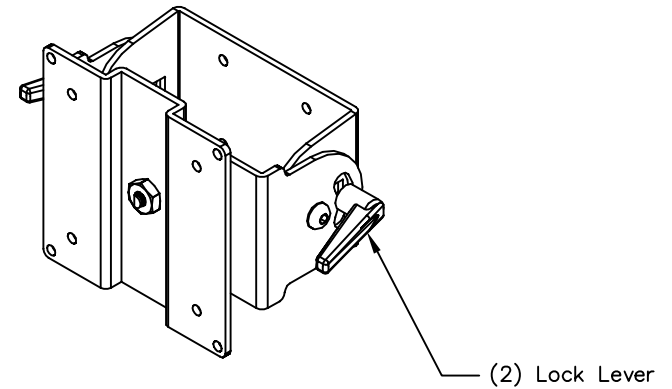


SIDE VIEW

VESA 100 x 100 &
75 x 75 PLATE



FRONT VIEW



ISO VIEW

NOTES :

MATERIAL :
AS NOTED ABOVE

TOLERANCES UNLESS OTHERWISE SPECIFIED

FRACTIONAL ±1/64
2 PLC. DEC. ±.01
3PLC. DEC. ±.001
ANGULAR ±.5°
FINISH $\sqrt{32}$

DRAWN BY : VGM/YN

DATE: 01/29/14

DESCRIPTION :
Monitor Arm

A P P R O V E D

ENG :

MFG :

QA :

SCALE : N.T.S.

SHEET : 1 OF 1

USED ON :
FASSY/ACCESSORIES/MONITORARM\AFC25-30

PATH :

PDF NAME:
AFC25-30_WM_01