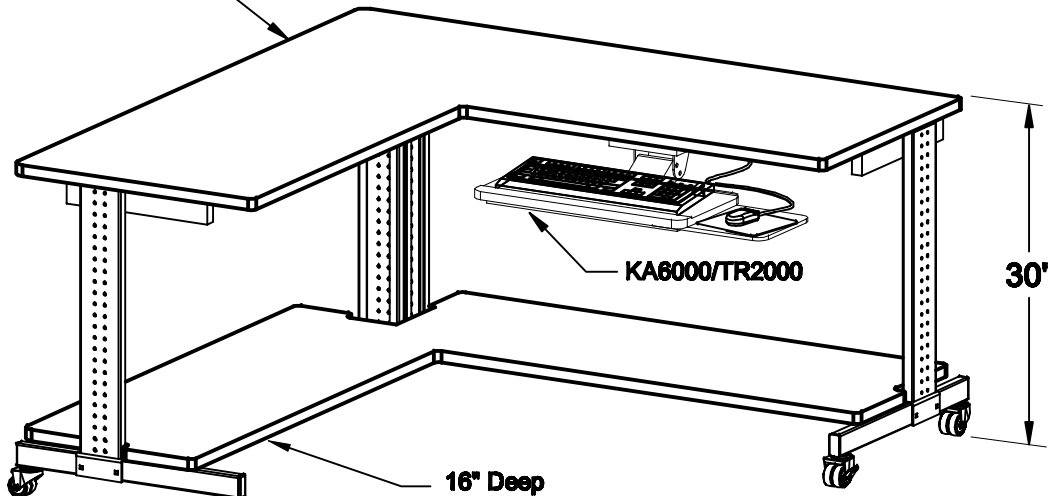


Working Surface
L-Shape with T-Molding

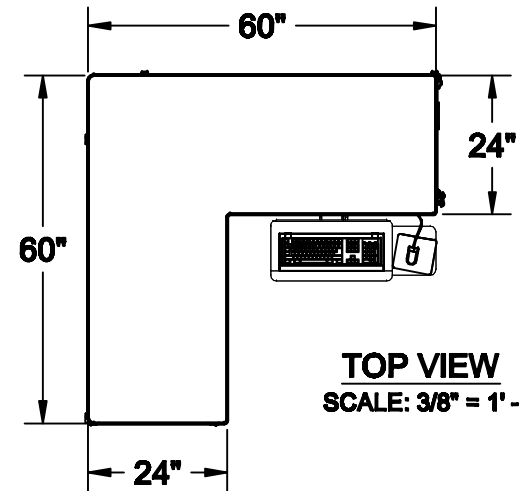


KA6000/TR2000

30"

16" Deep
Bottom Shelf
with T-Molding

(6) Ø2" Casters
(2) Locking



TOP VIEW
SCALE: 3/8" = 1' - 0"

ISOMETRIC VIEW

NOTES :	MATERIAL :	DRAWN BY: BD	DATE: 07/10/13	DESCRIPTION :	
	TOLERANCES UNLESS OTHERWISE SPECIFIED FRACTIONAL ±1/64 2 PLC. DEC. ±.01 3PLC. DEC. ±.001 ANGULAR FINISH	APPROVED		Corner Smart Cart	
		ENG :		SKU NUMBER :	
		MFG :		772709	
		QA :		PATH :	
		SCALE: ~3/4" = 1' - 0"	SHEET: 1 OF 1	\\Fin.Assy\Carts...\SmartCarts\ComerSC\CSC6000\	
				PDF NAME:	REV: SIZE
				CSC60602424_T_L_1620_0_0_0_B_01	. A