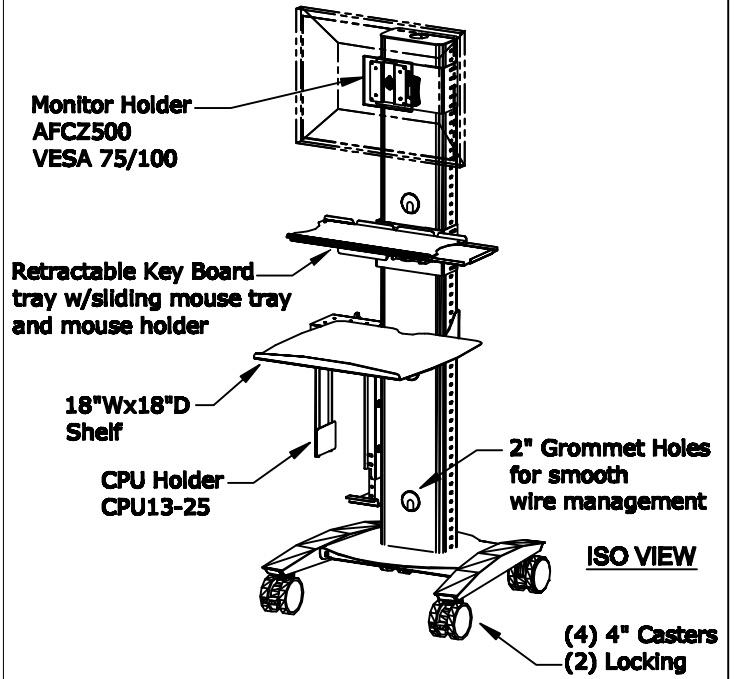
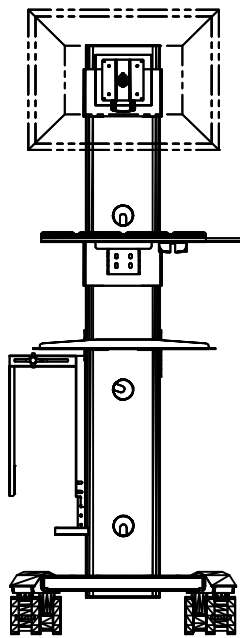


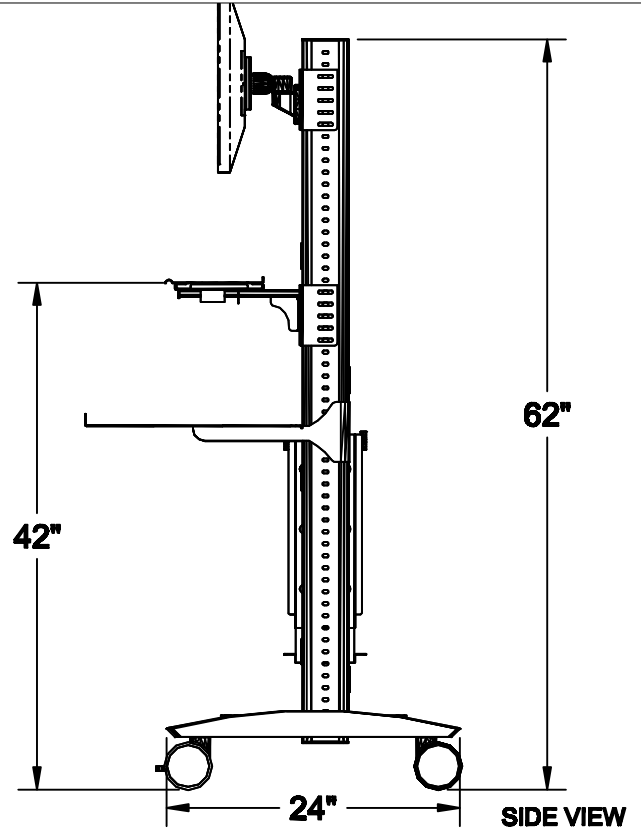
TOP VIEW



ISO VIEW



FRONT VIEW



SIDE VIEW

Note : Concept Drawing Only Final
Design may vary
Dim. Tolerances ±1/4"

DRAWN BY: LV
DATE: 10/07/2016
APPROVED

DESCRIPTION :
1 Monitor XLCD-200 Standard with CPU Holder

TOLERANCES UNLESS OTHERWISE SPECIFIED
FRACTIONAL ±1/64
2 PLC. DEC. ±.01
3PLC. DEC. ±.001
ANGULAR
FINISH

ENG:
MFG:
QA:

SKU NUMBER :
772675
PATH :
Cart & Racking/Plasma Cart/MLCD
NUMBER :
MLCD200_FZ5_RKB_CPU_Sh

SCALE : N.T.S. SHEET : 1 OF 1

REV: SIZE
. A