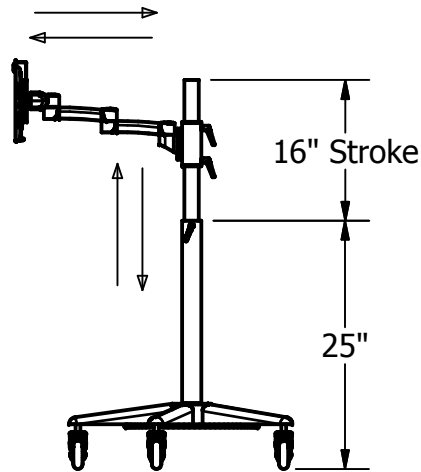
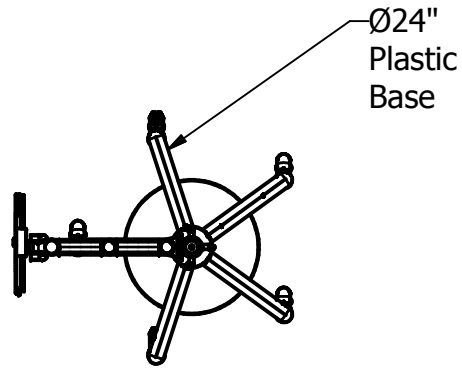


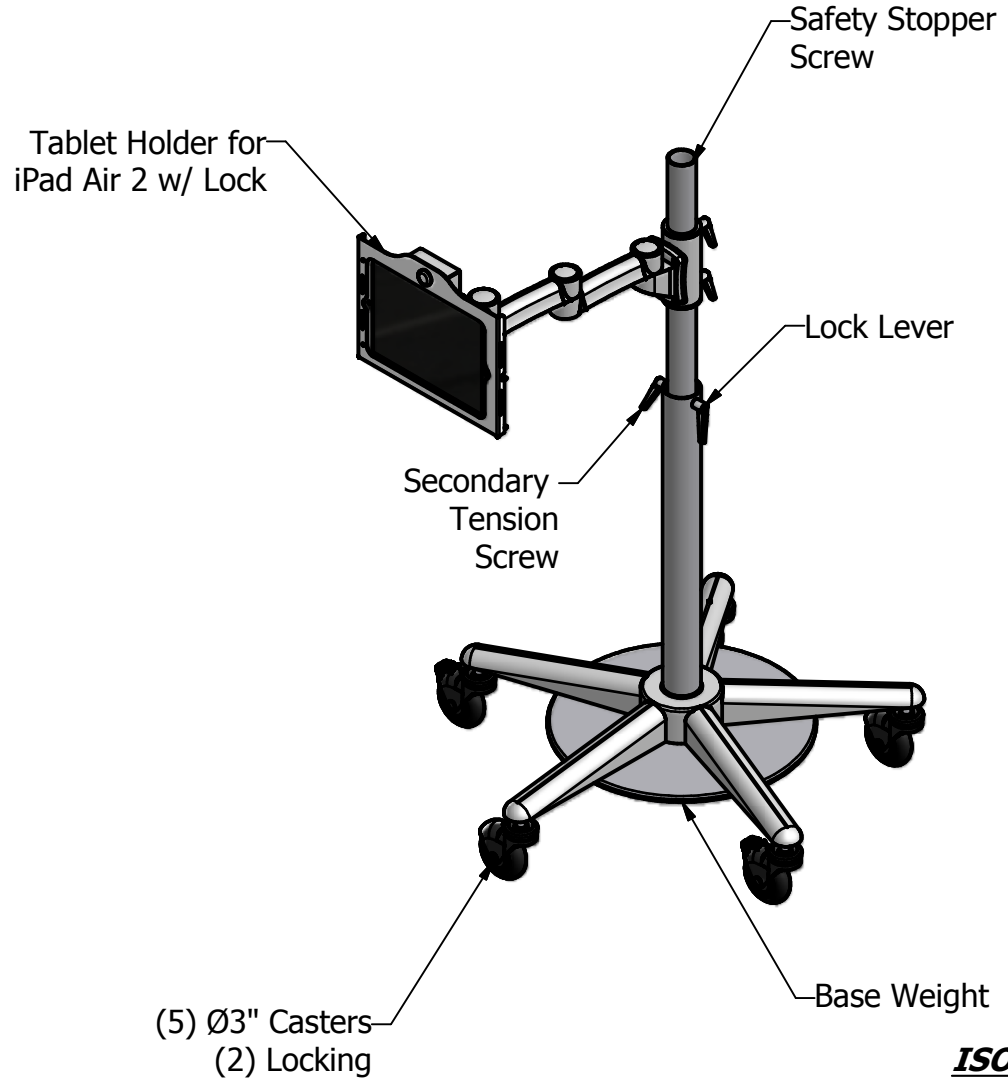
Top View

Scale 1:20



Side View

Scale 1:20



ISO View

Scale 1:10

NOTES:
Final Design May Vary

Tolerances:
Height ±1"
Surface Dims. ± 0.5"

SHEET 1 OF 1
SCALE: As Shown

DATE: 12/13/2018

DESCRIPTION:

DRAWN BY: mboryssenko

P/N: 7772571_TBC360-101-1FZ-iPadAir2-01.idw

PATH: L:\PP&T-DWG\1 INVENTOR CONTENT
CENTER\Library\FinalAssem-SoldToCustomers\MAXFLEX\Tablet
Cart\TBC360\7772571_TBC360-101-1FZ-iPadAir2-01\7772571_TBC360-101-1FZ-iPadAir2-01.idw