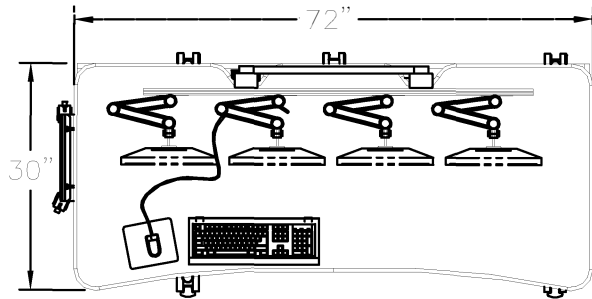




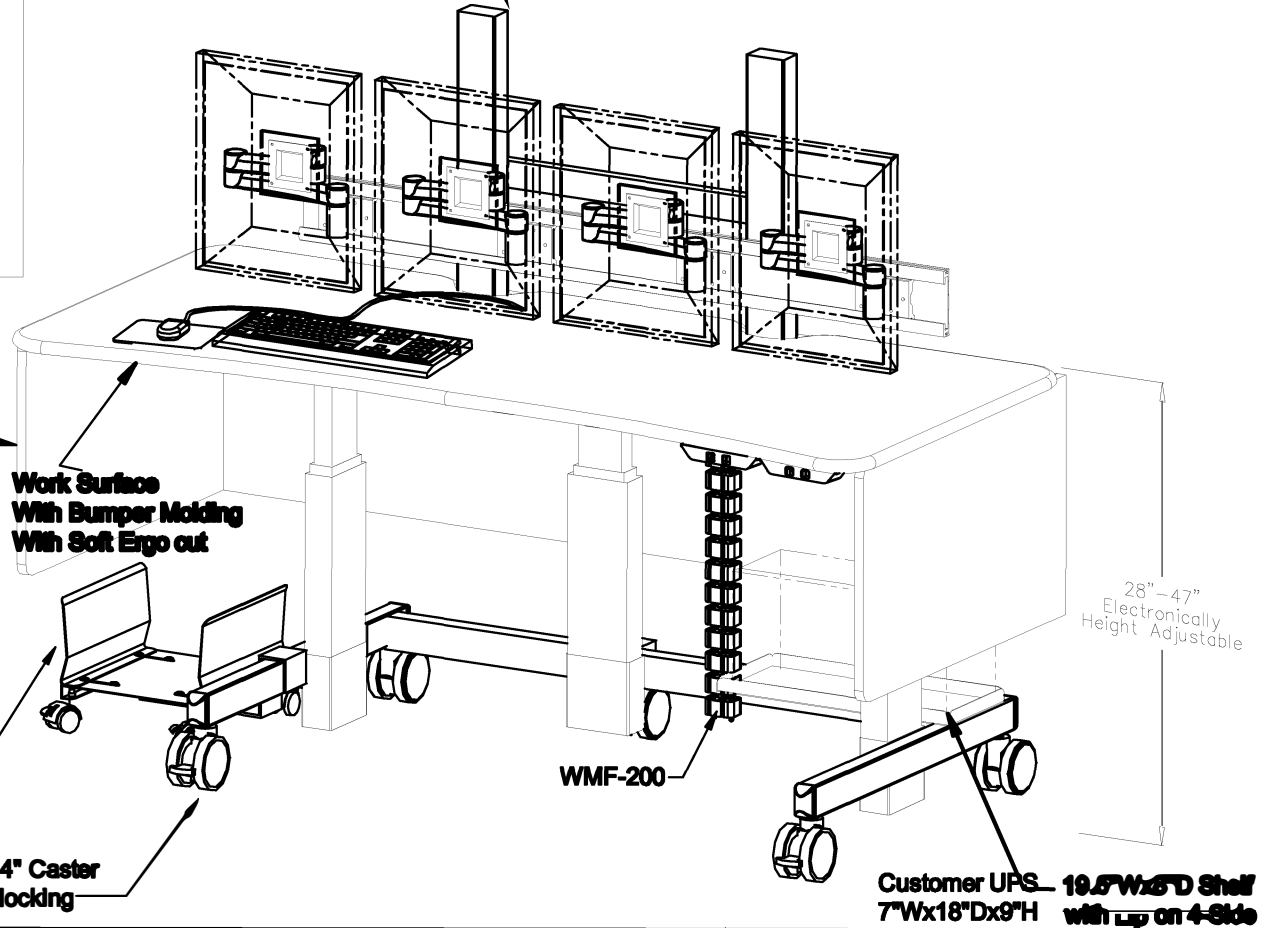
13-16 133 PLACE
COLLEGE POINT, NY 11356

TEL: (718)747-0237
FAX: (718)747-0726

THE PLANS AND DRAWINGS CONTAINED HEREIN ARE PROPRIETARY AND MAY NOT BE COPIED OR REPRODUCED MECHANICALLY, ELECTRONICALLY OR BY ANY MEANS WITHOUT WRITTEN PERMISSION FROM AFC INDUSTRIES, INC.



Electronically Height Adjustable Z Monitor Platform On Telescopic Drives For (4) Monitors ON 66" TRACK



Modesty Panels on three sides: Attached to the top only

Work Surface With Bumper Molding With Soft Ergo cut

CPU -02 Connected to The Frame

(5) 4" Caster (2) locking

WMF-200

28"-47" Electronically Height Adjustable

Customer UPS 19.5"Wx5"D Shelf with Lip on 4-Side 7"Wx18"Dx9"H

NOTES :

WILD CHERRY LAMINATE WITH BLACK BUMPER

MATERIAL :

AS NOTED ABOVE

TOLERANCES UNLESS OTHERWISE SPECIFIED

FRACTIONAL ±1/64
2 PLC. DEC. ±.01
3PLC. DEC. ±.001
ANGULAR ±.5°
FINISH √

DRAWN BY : VP/MK/LV

DATE: 02/11/16

DESCRIPTION :

A P P R O V E D

ENG :

MFG :

QA :

SCALE : N.T.S.

SHEET : 1 OF 1

SKU NUMBER : 772569

PATH :

PDF NAME:

ET7230_B_S_0000_4FZ_00_0_SB_0G2WMF2P_08 A

SIZE