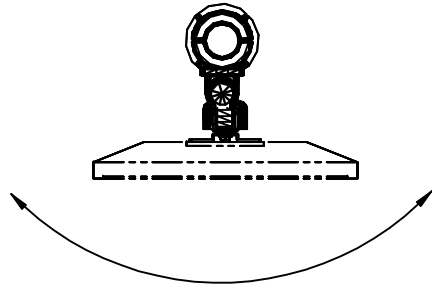
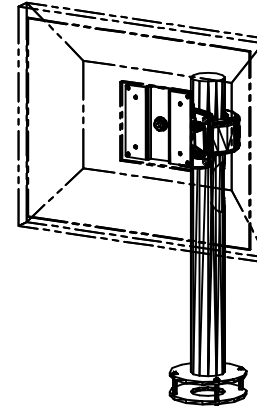


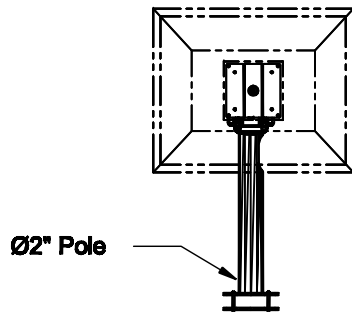
NOTE:
Shown rotations and any arm connections can be rotated on any angle where arms and monitors are not intersect with another part



TOP VIEW

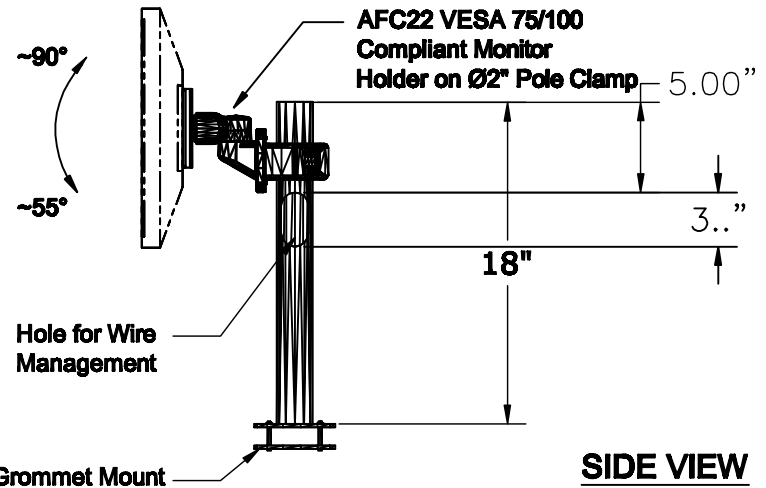


ISOMETRIC VIEW



Ø2" Pole

FRONT VIEW



SIDE VIEW

NOTES :

Max. weight of monitor
25lbs

Mounting hardware not
provided

MATERIAL :

TOLERANCES UNLESS
OTHERWISE SPECIFIED

FRACTIONAL ±1/64
2 PLC. DEC. ±.01
3PLC. DEC. ±.001
ANGULAR
FINISH



DRAWN BY: BD/GM

DATE: 06/02/16

DESCRIPTION :

Desktop Pole for Monitor

USED ON :

PATH:
\\Fin.Assy\Accessories\Monitor Arms\Z-Series\

PDF NAME:
AFCZ500-DMG-2in18P

REV: SIZE
A

APPROVED

ENG :

MFG :

QA :

NOT TO SCALE

SHEET : 1 OF 1