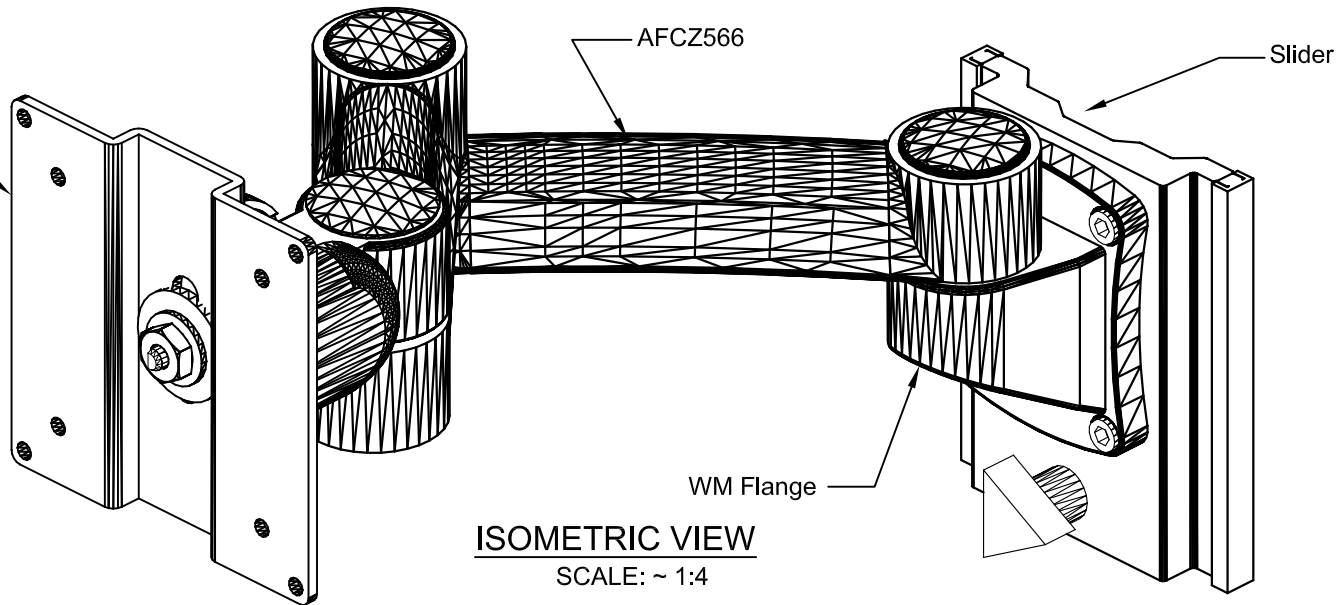


TOP VIEW
SCALE 1:4

AFC22
VESA 75/100
Compatible



ISOMETRIC VIEW
SCALE: ~ 1:4

NOTES :	MATERIAL :	DRAWN BY : BD	DATE: 07/13/11	DESCRIPTION :
	TOLERANCES UNLESS OTHERWISE SPECIFIED	A P P R O V E D		Z500 on vertical Slider
	FRACTIONAL ±1/64	ENG :		USED ON :
	2 PLC. DEC. ±.01	MFG :		PATH :
	3 PLC. DEC. ±.001	QA :		\\Fin.Assy\Accessories\Mon.Arms\Z Series\
	ANGULAR ±.5°	SCALE AS SHOWN	SHEET: 1 OF 1	PDF NAME: Z566 on Vert WM Slider
FINISH				REV: SIZE . A