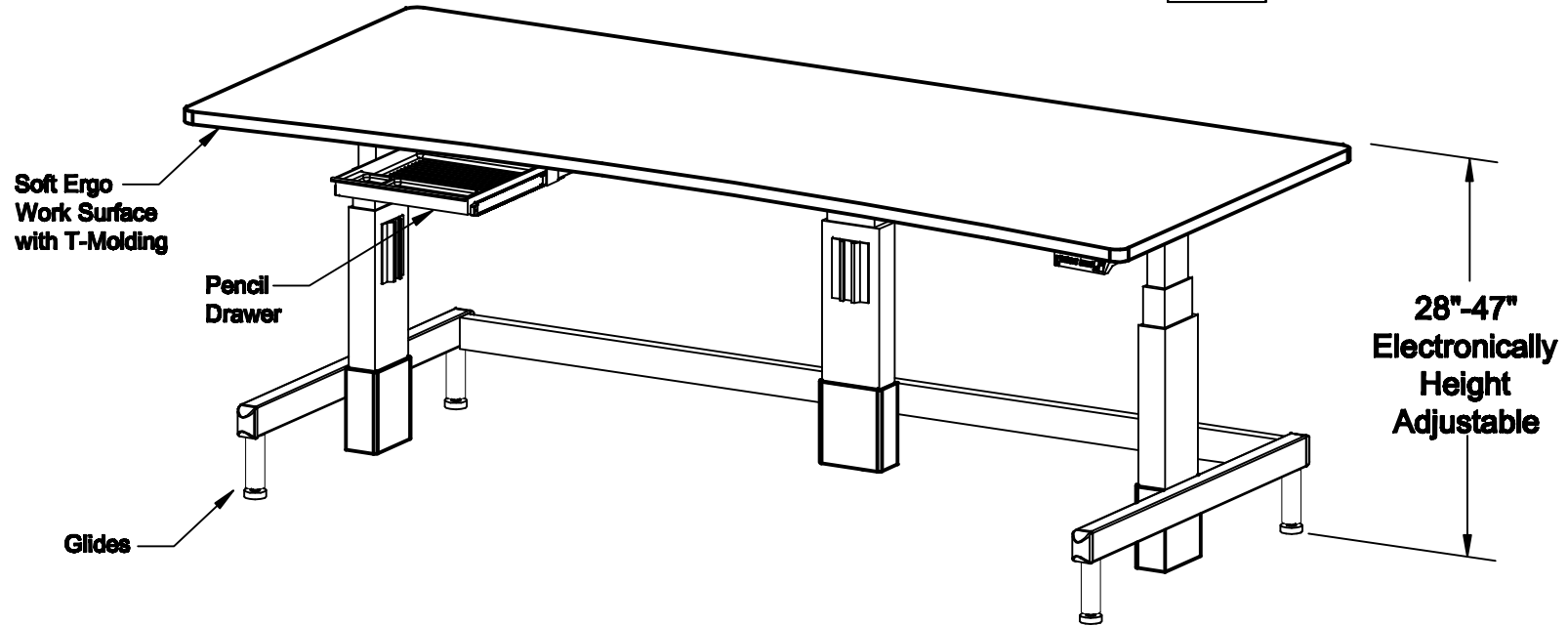
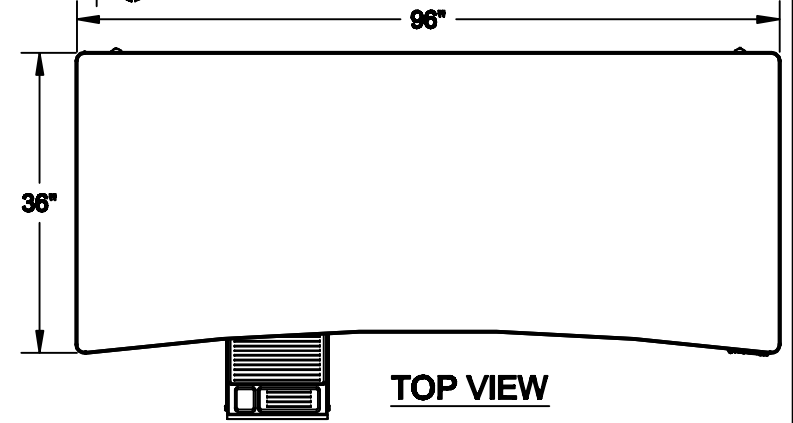




13-16 133 PLACE
COLLEGE POINT, NY 11356

TEL: (718)747-0237
FAX: (718)747-0726

THE PLANS AND DRAWINGS CONTAINED HEREIN ARE PROPRIETARY AND MAY NOT BE COPIED OR REPRODUCED MECHANICALLY, ELECTRONICALLY OR BY ANY MEANS WITHOUT WRITTEN PERMISSION FROM AFC INDUSTRIES, INC.



ISOMETRIC VIEW

NOTES :	MATERIAL :	DRAWN BY : PR	DATE: 07/23/10	DESCRIPTION : ST9636
	AS NOTED ABOVE	A P P R O V E D		SKU NUMBER : 772469
	TOLERANCES UNLESS OTHERWISE SPECIFIED	ENG :		PATH : \\Home\MAXFLEX SERIES\ST9600\2010
	FRACTIONAL ±1/64 2 PLC. DEC. ±.01 3PLC. DEC. ±.001 ANGULAR ±.5° FINISH √	MFG :		PDF NAME: ST9636_T_SE_0000_00_00_0_0_D00_01
		QA :		
		SCALE : N.T.S.	SHEET : 1 OF 1	